

13838BFLP – ACCESSIBLE SHOWERS

inches

Interior: 36 x 36 x 77 7/8

Exterior: 38 1/4 x 38 3/4 x 79 3/4

The 13838BFLP transfer shower features innovative installation design, including an engineered leveled base and improved front threshold. A true time and money saver, our pre-leveled base lets you install directly on a **level** floor. And its front threshold is engineered to keep a constant level without the use of brackets during installation.



COLOR & TRIM OPTIONS

Stock	Upgraded
White	Almond Biscuit Bone

**Additional custom colors available.
(Contact Customer Service)

FEATURES

- Pre-leveled base
- AcrylX™ applied acrylic surface
- 5/8" skirt
- Barrier free when properly installed
- Smooth wall
- Center drain
- ArmorCore™ reinforcement
- Regional availability: Pacific Northwest
- 30-year warranty*

OPTIONS

- RH or LH fixture wall
- Grab bars
- Fold-up seat
- Hand-held shower assembly with slide bar
- Pressure balancing mixing valve
- Soap dish
- Curtain rod and/ or shower curtain

CODE COMPLIANCE

- TAS
- FHA
- HUD UM73a
- IAPMO Z124-2011
- CSA-B45-11

**Code compliant when fully equipped and installed according to guidelines.

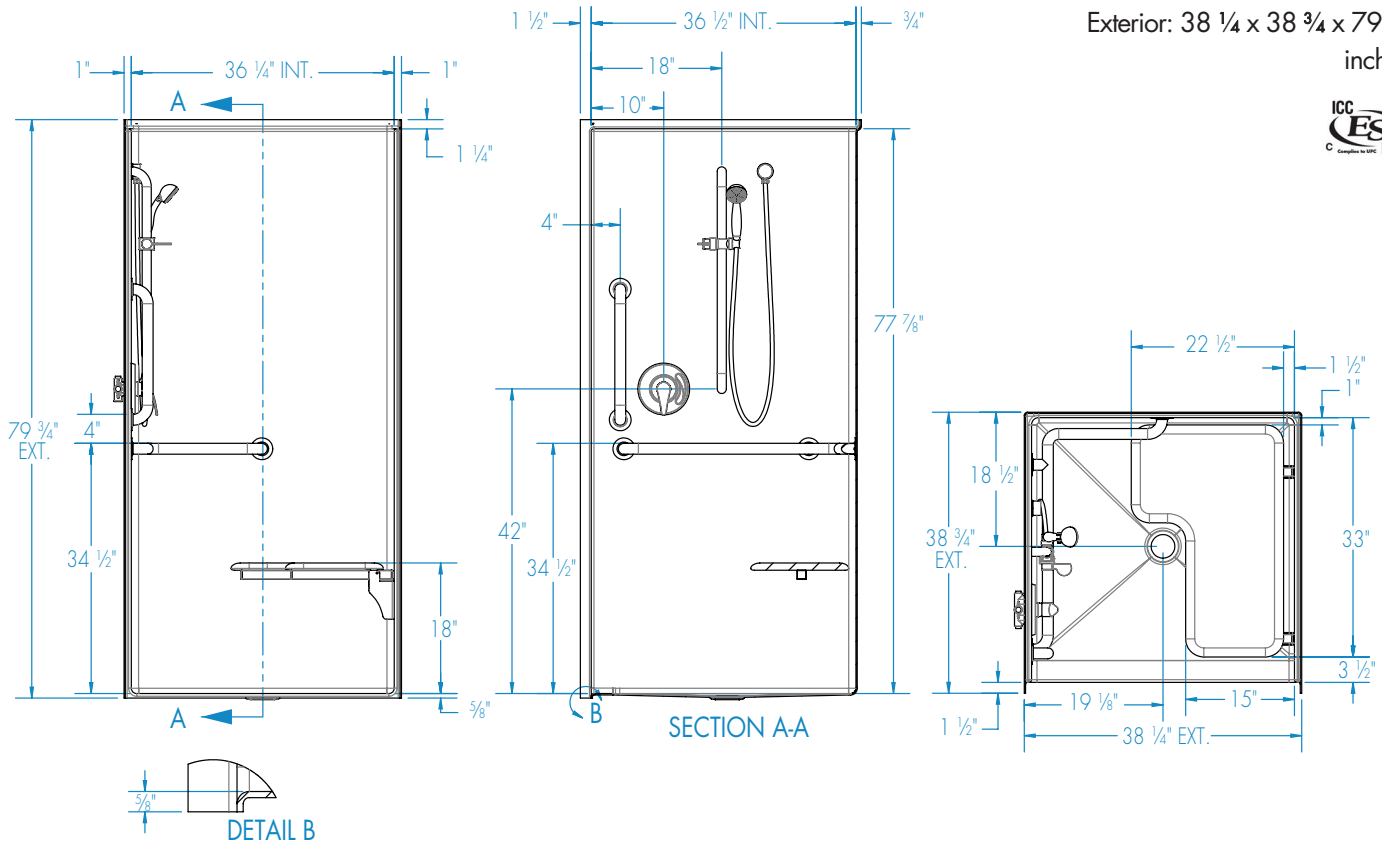


Aquatic products may be specified as Lasco Bathware.



13838BFLP

Interior: 36 x 36 x 77 7/8
Exterior: 38 1/4 x 38 3/4 x 79 3/4
inches



FEATURES

Dimensional Tolerance $\pm \frac{3}{8}$ ". Dimensions needed for site preparation should be measured from the unit. Aquatic assumes no responsibility for preparatory work.

Type and Model #	Material	Wall Finish	Pieces	Drain	Dam/Skirt Height	Net Wt. lbs	Pkg. Wt. lbs
Shower #13838BFLP	AcrylX™	Smooth	1	Center	5/8" skirt	140	150

DIMENSIONS

Specifications	inches
Width: Ext. / Int.	38 1/4 / 36
Depth: Ext. / Int.	38 3/4 / 36
Height: Ext. / Int.	79 3/4 / 77 7/8
Enclosure Opening:	36
Skirt Height:	5/8
Drain Rough-In (from Back Wall)	18 1/4
Drain Rough-In (from Side Wall)	19

FRAMING DIMENSIONS inches

Type	D Depth	W Width	H Height	A	B	C
Alcove	38 3/4	38 1/2	-	Box Out	19 1/8	18 1/2

