

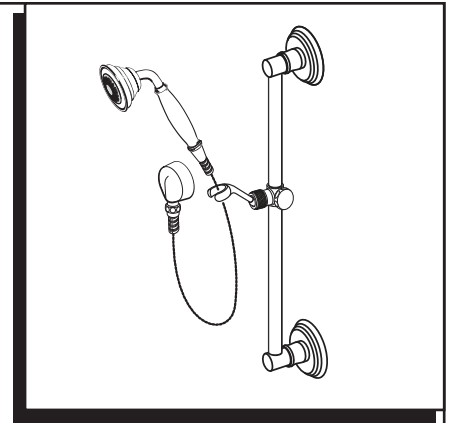
# INSTALLATION INSTRUCTIONS

## Adjustable Personal Hand Shower Bar

For all Models

Thank you for selecting American Standard...  
the benchmark of fine quality for over 100 years.

To ensure that your installation proceeds smoothly-please read these instructions carefully before you begin.



Certified to comply with ANSI A112.18.1M

### RECOMMENDED TOOLS AND MATERIALS

Most of the procedures require the use of common tools and materials, which are available from hardware and plumbing supply stores. It is essential that the tools and materials be on hand before work is begun.



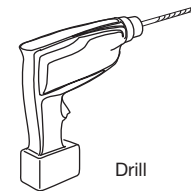
Tape Measure



Flat Blade Screwdriver



Level



Drill

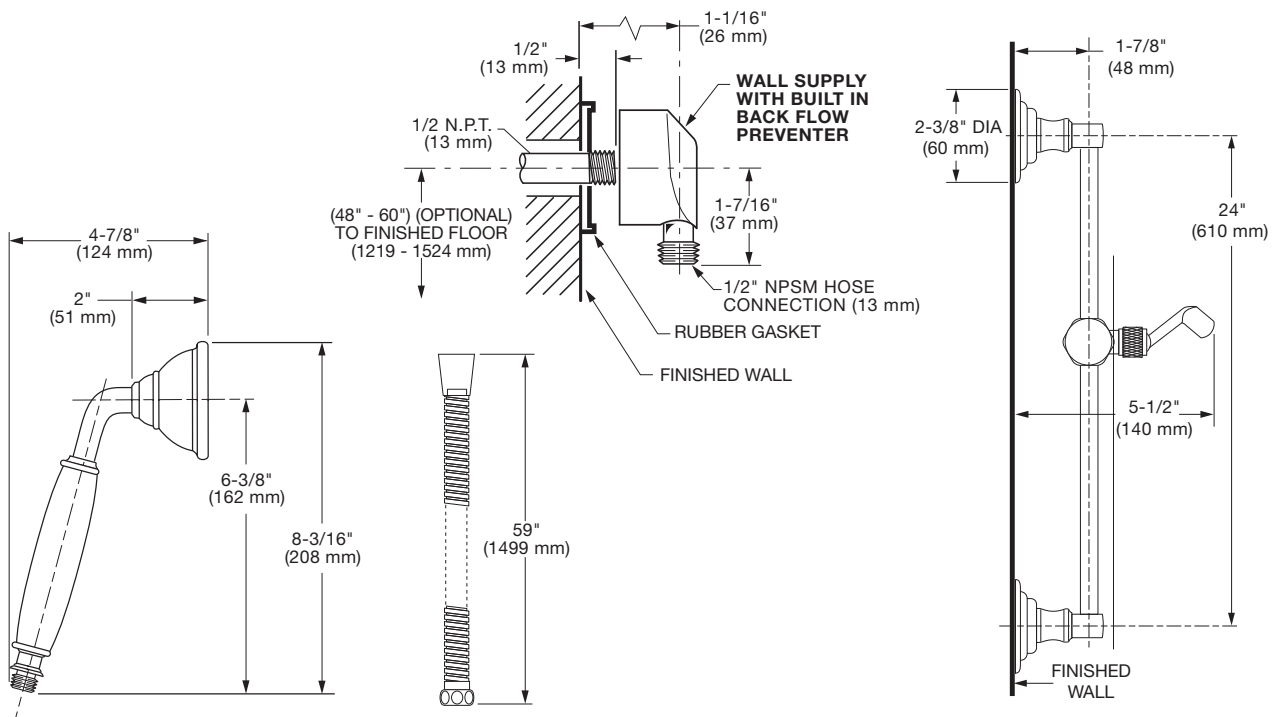
### CARE AND CLEANING

**Do:** Simply rinse the product clean with clear water, dry with a soft cotton flannel cloth.

**Do Not:** Clean the product with soaps, acid, polish, abrasives, harsh cleaners, or a cloth with a coarse surface.

### ROUGHING-IN DIMENSIONS:

- For reference

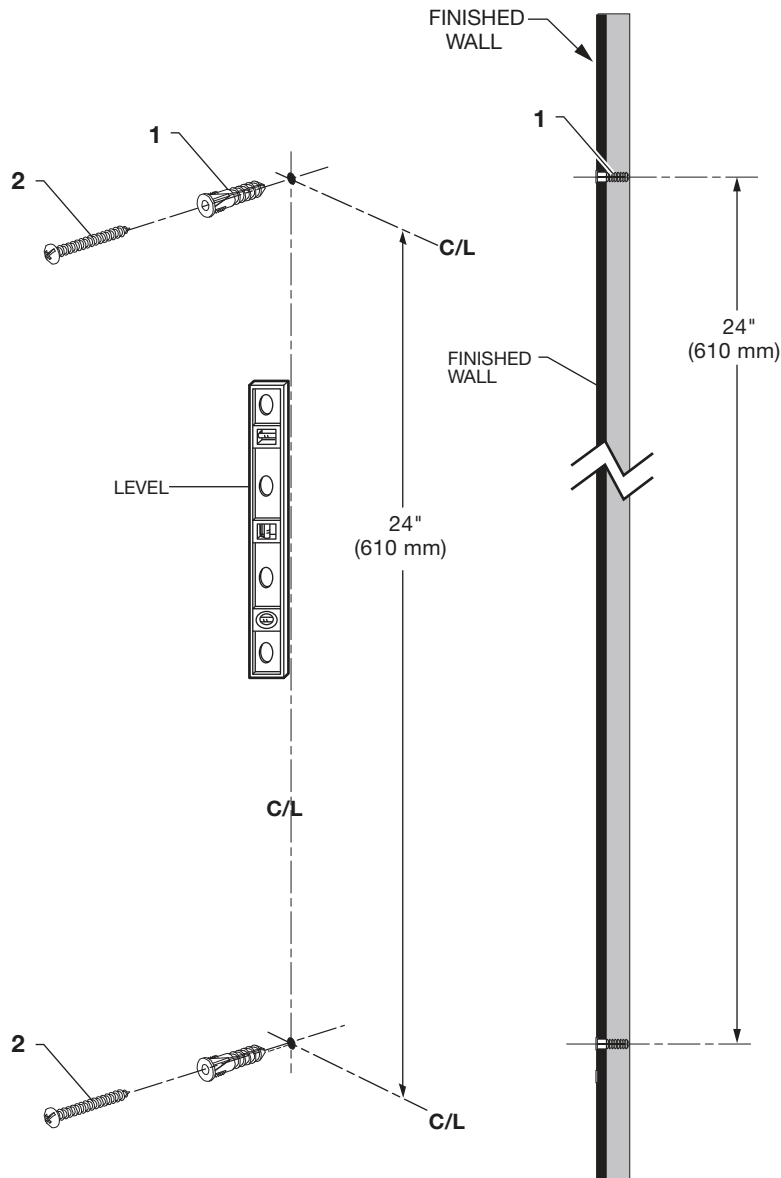


# 1 INSTALL WALL ANCHORS

- The ADJUSTABLE SHOWER BAR works best if secured to a wall stud or cross brace within the wall, using the SCREWS supplied.
- If the ADJUSTABLE SHOWER BAR is to be installed on a tile or plaster wall the ANCHORS (1) and
- Determine desired height and location (optional) and mark the top center line. Use a level to help mark the vertical center line for the two mounting locations. The distance between the two mounting holes is 24" (610 mm).

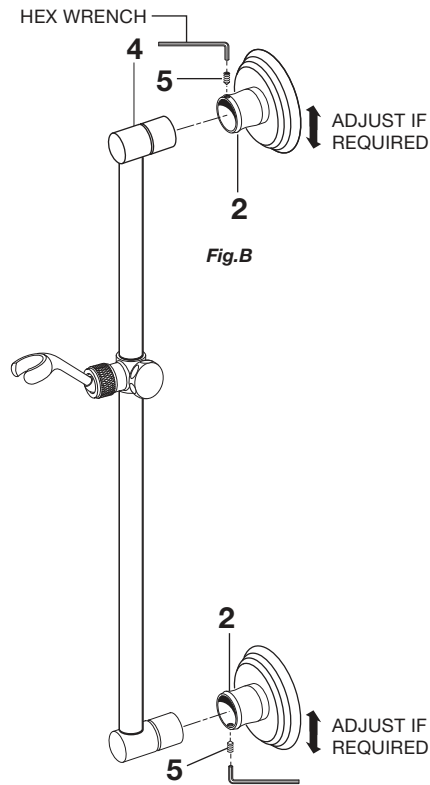
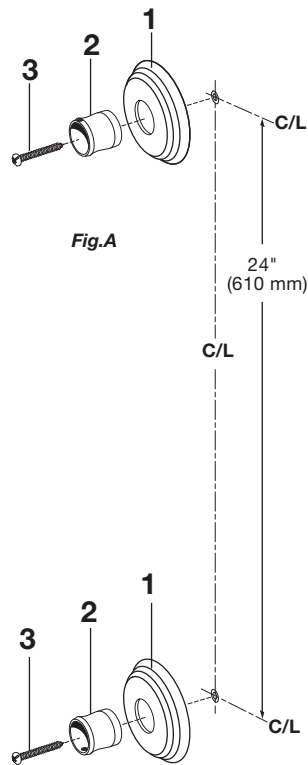
**Note: This dimension is important and must be maintained.** If ESCUTCHEON is secured to a stud or cross brace with in the wall, drill small pilot holes for SCREWS (2).

- For installations on drywall or tiled walls: Use ANCHORS (1) and SCREWS (2) for securing ESCUTCHEON to finished wall. Drill two 1/4" (6 mm) dia. holes a minimum of 1-3/4" (44 mm) deep. Insert the two ANCHORS (1) flush with face of the finished wall.



## 2 INSTALL ADJUSTABLE SHOWER BAR

- Secure the top ESCUTCHEON (1) and MOUNTING SLEEVE (2) to the wall using MOUNTING SCREWS (3). Do not fully tighten. **Fig. A**
- Secure the BOTTOM ESCUTCHEON (1A) in the same way. **Fig. A**
- Install the SHOWER BAR (4) into the two MOUNTING SLEEVES (2). Adjust ESCUTCHEONS (1) if needed. After alignment is made remove the SHOWER BAR (4) and tighten the MOUNTING SCREWS (3) fully. **Fig. B**
- Install the SHOWER BAR (4) back into the two MOUNTING SLEEVES (2) as far as it will go. Tighten the two SET SCREWS (5) with hex wrench supplied to secure the SHOWER BAR (4). **Fig. B**



## 4 INSTALL HOSE AND HAND SHOWER

- Lift HAND SHOWER (1) from HOLDER (2) and direct spray into tub. Turn hand shower valve on to check HAND SHOWER (1) for proper operation and hose connections for leaks.
- Use KNOB (3) on HOLDER (2) to adjust HAND SHOWER (1) height on slide bar.

