

**TOWNSEND® 48" x 36" SOLID SURFACE  
SHOWER BASE**

☐ **4836SMCOL** Low Threshold Center Drain

**Product Features:**

- Durable 100% solid, non-porous material
- Smooth matte surface
- Integral 3-sided 1" tiling / water retention flange for easy installation
- Low 2" threshold height
- Repairable and renewable surface
- Does not support bacteria and fungi growth
- Self-extinguishing
- UV resistant
- Resistant to stains and impact
- Easy maintenance and cleaning
- Drain not included



SEE REVERSE SIDE FOR ROUGHING-IN DIMENSIONS

**Nominal Dimensions:**

48" x 36" x 2"  
(1219 x 914 x 51mm)

**Shower Base Includes:**

- Removable solid surface trench drain cover

**Compliance Certifications -**

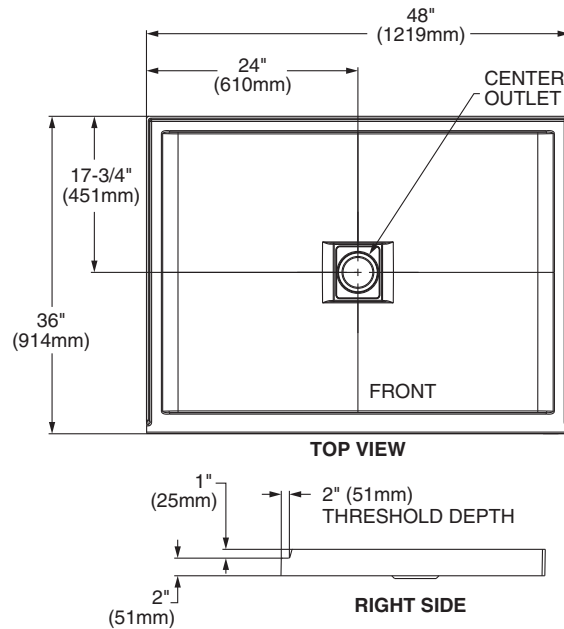
**Meets or Exceeds the Following Specifications:**

- CSA B45.5 / IAPMO Z124
- cUPC
- ASTM F462 (Pass w/COF=0.44)
- ASTM C1028
  - COF Dry = 0.66
  - COF Wet = 0.56

Flame & Smoke

- ASTM E84
  - Flame Spread Index = 0
  - Smoke Index = 20
- CAN/ULC S102.2
  - Flame Spread Rating = 0
  - Smoke Developed Classification = 15

**4836SMCOL**  
**Low Threshold Center Drain**



<b>GENERAL SPECIFICATIONS FOR 4836SM SHOWER BASE</b>	
INSTALLED SIZE _____	1219mm x 915mm (48 x 36 In.)
WEIGHT _____	48.1 Kg. (106 Lbs.)
SHOWER WELL AT SUMP _____	1037mm x 799mm (40-13/16 x 31-3/8 In.)
SHOWER WELL AT RIM _____	1133mm x 817mm (44-5/8 x 32-3/16 In.)
FLOOR LOADING _____	43 Kgs/Sq. m. (9 Lbs./Sq. Ft.)
(PROJECTED AREA)	