

67" NESSA ACRYLIC FREESTANDING TUB

Cat. No.
ATFN67IG-XX



L: 67"
W: 31-1/2"
H: 29-1/2"

Water depth: 18-1/2" to top of tub
Water depth: 15-1/4" to overflow
Overflow hole diameter: 4-1/4"
Center drain to back of rim: 15-3/4"
Bottom of drain to floor: 4"
Bathing well to floor: 4-7/8"

The following is recommended for ATFN67 tubs:

- Faucet: #4602, 4604, 7082, or 7088
- Freestanding Bath Supplies: #4502
- Freestanding Faucets: #7902, 7922, or 7932
(Do Not Need Bath Supplies)

Gallon Capacity: 57
Shipping Weight: 142 lbs.
Empty Weight: 82 lbs.
Filled Weight: 558 lbs.



For easier instalation we recommend use of 5598-ITD Easy Install Rough In Kit

Features:

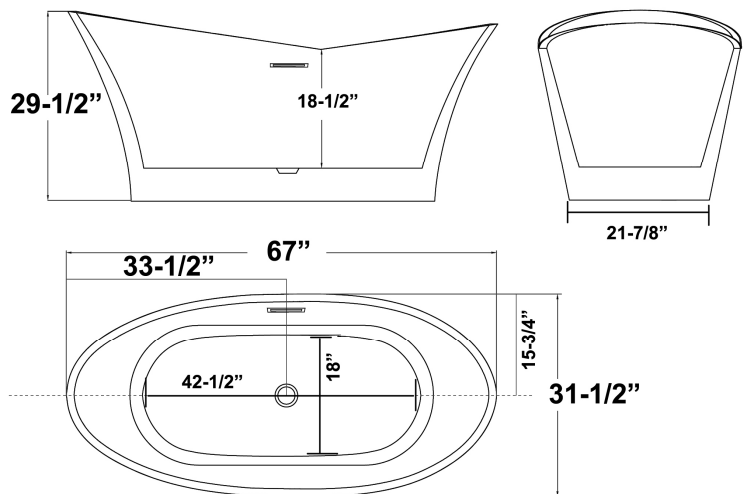
- ▶ Acrylic construction for lighter weight
- ▶ Smooth inside and out
- ▶ No faucet holes
- ▶ Includes built-in adjusters
- ▶ Drain and overflow covers included (available in 6 finishes)
- ▶ Rim measurement: 1-1/4"
- ▶ Overflow slot with integrated drain
- ▶ Drain included
- ▶ Angle slope of tub: 23°
- ▶ Tub is thoroughly inspected before shipment
- ▶ Option to add foam insulation between tub walls available



Finishes:

- BN** Brushed Nickel
- CP** Polished Chrome
- ORB** Oil Rubbed Bronze
- PB** Polished Brass
- PN** Polished Nickel
- WT** White

Custom Colors Available (inside of tub is always white enamel):
Painted bathtubs are considered "special order" and are not returnable
\$160 Bisque or Black \$250 Designer Color



Dimensions of fixture are nominal and may vary within the range of tolerances established by ANSI Standard A112.19.2. Dimensions and specifications subject to change without notice.