

ILLUSION 550 WALL-HUNG BASIN

CAT. NO
4-1721WH



Faucet not included



Mounting hardware

W: 21-3/4"
D: 17-1/8"
H: 6-3/4"

Interior Dimensions:

Basin interior:	19" x 11-1/4"
Basin depth:	5"
Faucet hole:	1-1/4"
Water depth to overflow:	2-3/4"
Back of basin to center of faucet:	2-1/2"
Back of basin to center of drain:	8"
Mount holes cc:	6-1/4"
Drain hole:	1-3/4"

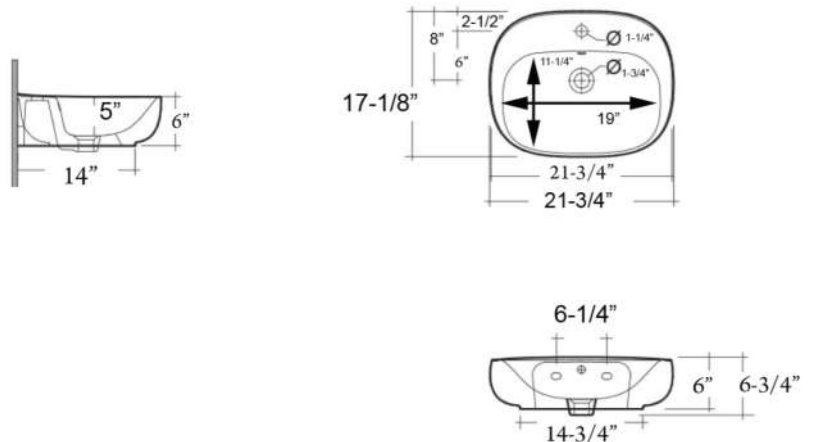
Features:

- ▶ Made of Vitreous China
- ▶ Available for 1 hole (4-1721WH) and (4-1724WH)
- ▶ Overflow
- ▶ Mounting hardware included

Colors:

WH White

Meets or exceeds the following specifications: ASME A112.19.2 2018 and CSA B45.1-18 for ceramic plumbing fixtures.



Dimensions of fixture are nominal and may vary within the range of tolerances established by ASME Standard A112.19.2. Dimensions and specifications subject to change without notice.