

TRIXIE 11" WALL HUNG BASIN

Cat. No
4-1138



Faucet not included



Mounting hardware

W: 11-1/8"
D: 11-1/8"
H: 3-3/4"

Features:

- ▶ Petite wall hung basin
- ▶ Made of Vitreous China
- ▶ Pre-drilled with 1-3/8" single faucet hole
- ▶ No overflow
- ▶ Mounting hardware included
- ▶ Drain not provided

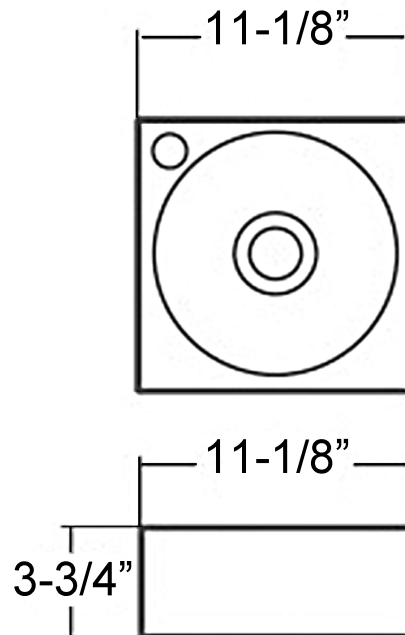
Colors

WH White

Meets or exceeds the following specifications: ASME A112.19.2 2013 and CSA B45.1-13 for ceramic plumbing fixtures.

Interior Dimensions:

Basin Interior:	8-5/8" x 8-5/8"
Basin Depth:	2-3/8"
Back of basin to center of faucet:	2-1/8"
Back of basin to center of drain:	8"
Mount holes cc:	4-3/4"
Faucet hole diameter:	1-3/8"



Dimensions of fixture are nominal and may vary within the range of tolerances established by ASME Standard A112.19.2.2013 Dimensions and specifications subject to change without notice.