

60" ANDOVER ACRYLIC ROLL TOP TUB

Cat. No.
ATR60



L: 60"
W: 30"
H: 24-1/2" (from floor)
17-3/4" (from bottom of tub)

Water Depth: 11-1/2" to OF

The following is recommended for
ATR60 tubs:

- Tub wall-mounted faucets: #4022,4025 or 4035
 - Double offset bath supplies: part #5576
 - Leg tub drain: part #5599
- Do Not Use with rigid, freestanding supplies.**

Gallon Capacity: 40
Shipping Weight: 110 lbs.
Empty Weight: 62 lbs.
Filled Weight: 396 lbs.

Features:

- ▶ Inside finish is either white or bisque to match outside color
- ▶ Pre-drilled overflow hole
- ▶ 3-3/8" centers in tub wall with continuous rolled rim
- ▶ Top of tub to center of faucet holes is 3-1/4"
- ▶ Outside is textured fiberglass reinforced polyester coated with two-part epoxy
- ▶ Cast aluminum ball and claw feet
- ▶ Feet are attached and leveled before shipment
- ▶ Tub is thoroughly inspected before shipment



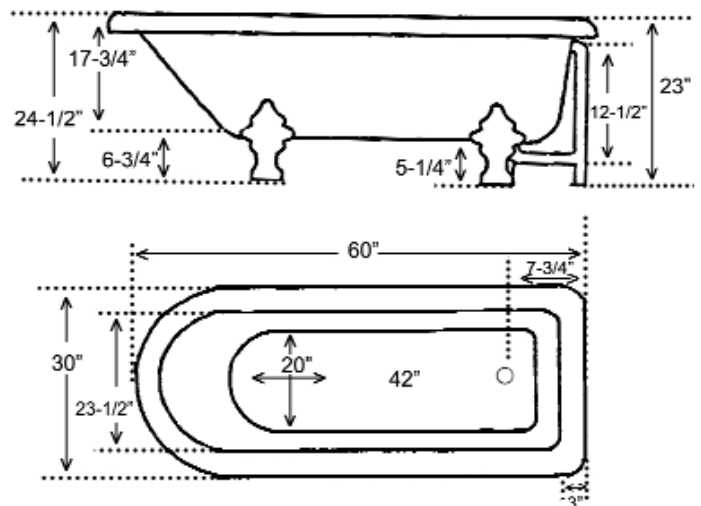
Tub Colors

WH White BQ Bisque

Foot Finishes

BQ	Bisque	BN	Brushed Nickel
BL	Black	ORB	Oil Rubbed Bronze
PB	Polished Brass	PN	Polished Nickel
CP	Polished Chrome	WH	White

Custom Colors Available (inside of tub is always white enamel):
Painted bathtubs are considered "special order" and are not returnable
\$160 Bisque or Black \$250 Designer Color



Dimensions of fixture are nominal and specifications subject to change without notice.