

67" ISADORA DOUBLE ACRYLIC SLIPPER TUB

Cat. No.
ADTS67



L: 67"
W: 29-1/2"
H: 24" (from floor) short end
30" (from floor) tall end
18" (from bottom of tub) short end
24" (from bottom of tub) tall end

Water Depth: 11-1/2" to OF

The following is recommended for ADTS67 slipper tubs:

- Faucets: part #4602, #7393, or # 7410
- Freestanding Bath Supplies: #4502-PL
- Leg tub drain: part #5599

Gallon Capacity: 50
Shipping Weight: 150 lbs.
Empty Weight: 100 lbs.
Filled Weight: 518 lbs.

Features:

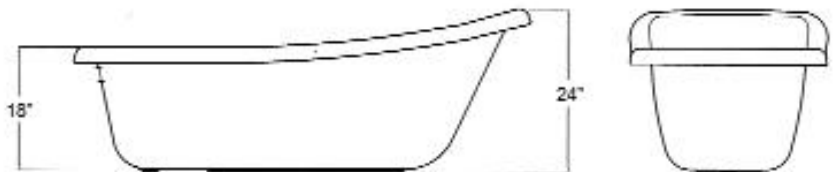
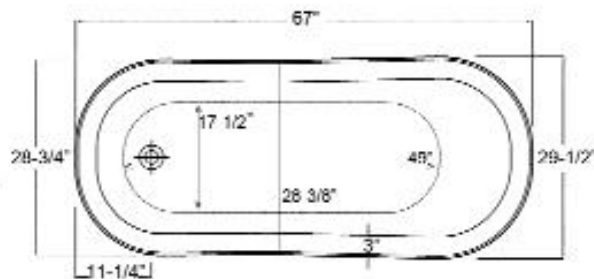
- ▶ Smooth white acrylic surface inside and out
- ▶ Double-walled acrylic
- ▶ No faucet holes
- ▶ Pre-drilled overflow hole
- ▶ Aluminum ball and claw feet
- ▶ Tubs ship with feet attached and leveled
- ▶ Tubs are thoroughly inspected before shipment



Foot Finishes:

- | | |
|------------------------------|---------------------------|
| BQ Bisque | BN Brushed Nickel |
| BL Black | CP Polished Chrome |
| BP Polished Brass | PN Polished Nickel |
| ORB Oil Rubbed Bronze | WH White |

Custom Colors Available (inside of tub is always white enamel):
Painted bathtubs are considered "special order" and are not returnable
\$160 Bisque or Black \$250 Designer Color



Dimensions are nominal and specifications subject to change without notice.

TUB WALL MOUNT FILLER WITH HANDSHOWER

Cat. No.
4602



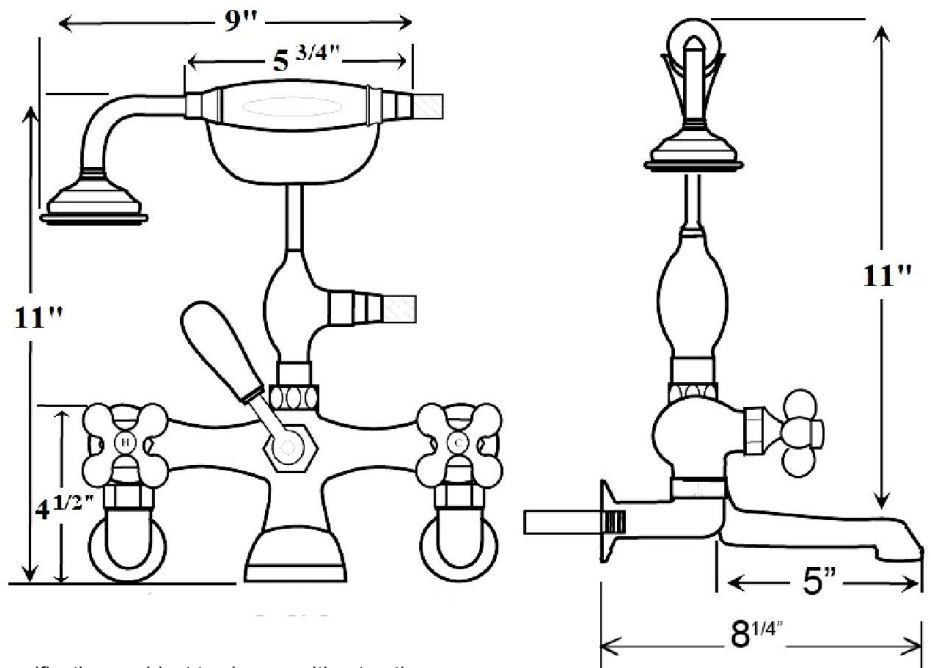
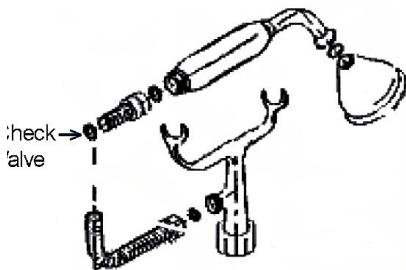
Adjustable Swivel Mounts

Features:

- ▶ Brass construction
- ▶ Elephant spout length is 5"
- ▶ Spout flow rate is 3.70 GPM
- ▶ Available with porcelain lever (**4602-PL**) or metal cross handles (**4602-MC**)
- ▶ Telephone handshower with cradle and hose
- ▶ Handshower flow rate 2.5 GPM
- ▶ Handshower includes backflow preventer
- ▶ Swivel mounts adjust centers from 3" to 12"
- ▶ Faucet centers are 7" without swivel mounts
- ▶ For tub wall mount installation
- ▶ ¼ turn ceramic disc cartridges
- ▶ To be used with double offset bath supplies, **Part #5576**
- ▶ This faucet can also be used with rigid freestanding supplies, **Part #4502** with adjustable swivel mounts removed

Finishes:

BP Polished Brass	SN Brushed Nickel
CP Polished Chrome	PN Polished Nickel
ORB Oil Rubbed Bronze	



Dimensions are nominal and may vary. Dimensions and specifications subject to change without notice.

FREESTANDING BATH SUPPLIES

Cat. No.
4502-PL



Features:

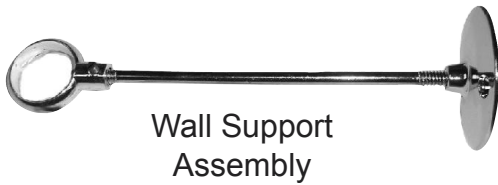
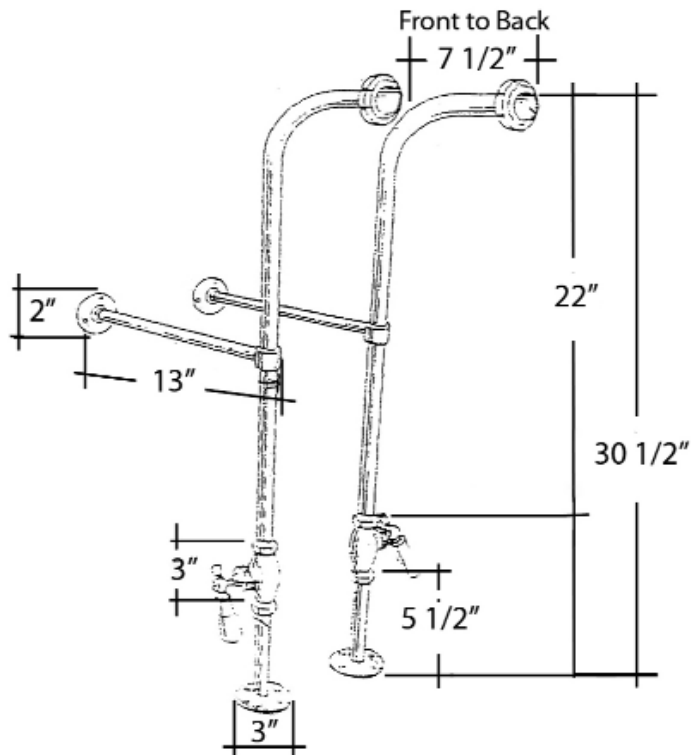
- ▶ 5" Shaft included
- ▶ Stops included
- ▶ 1/2" Pipe thread inlet
- ▶ 3/4" Flare outlet
- ▶ Wall support assemblies included
- ▶ Porcelain lever handles
- ▶ 0.800" Outer diameter
- ▶ 0.595" Inner diameter
- ▶ 0.090" Thickness of wall
- ▶ Available in 5 finishes

Finishes:

CP	Polished Chrome	PN	Polished Nickel
BP	Polished Brass	ORB	Oil Rubbed Bronze
SN	Brushed Nickel		

H: 30" (30 1/2" with nut)

OD: 1/2"



Use on concrete floors requires special installation. We recommend using a plumbing professional.

Dimensions are nominal and may vary. Dimensions and specifications subject to change without notice.

LEG TUB DRAIN

Cat. No.
5599



Escutcheon Height: 1-1/4"

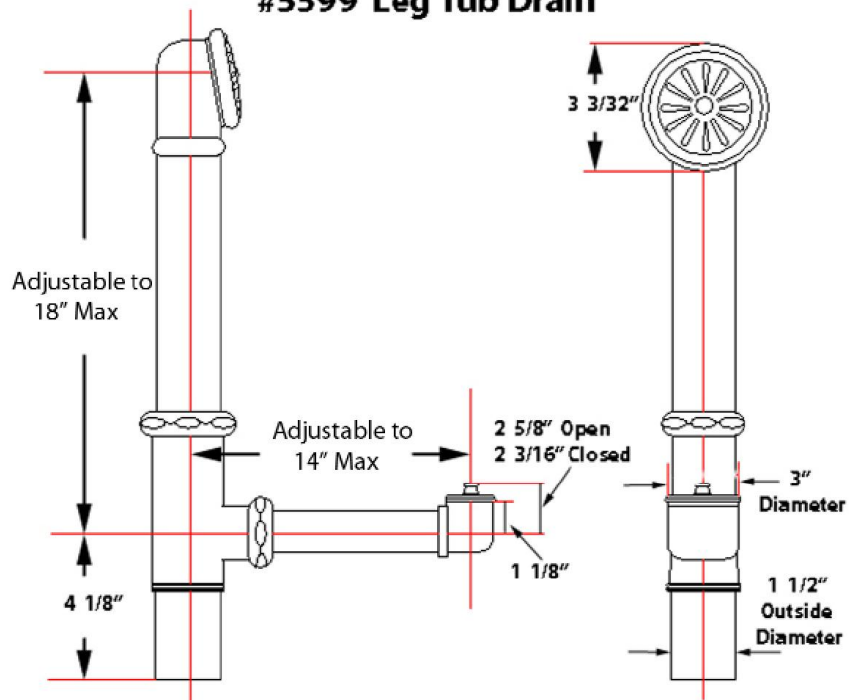
Features:

- ▶ Twist-and-lift stopper
- ▶ Includes deep escutcheon
- ▶ Height adjustable 15"-18"
- ▶ Depth adjustable 12"-14"
- ▶ Includes deep escutcheon
- ▶ Available in 5 Finishes

Finishes:

- CP** Polished Chrome
- BP** Polished Brass
- SN** Brushed Nickel
- PN** Polished Nickel
- ORB** Oil Rubbed Bronze

#5599 Leg Tub Drain



Dimensions and specifications subject to change without notice.