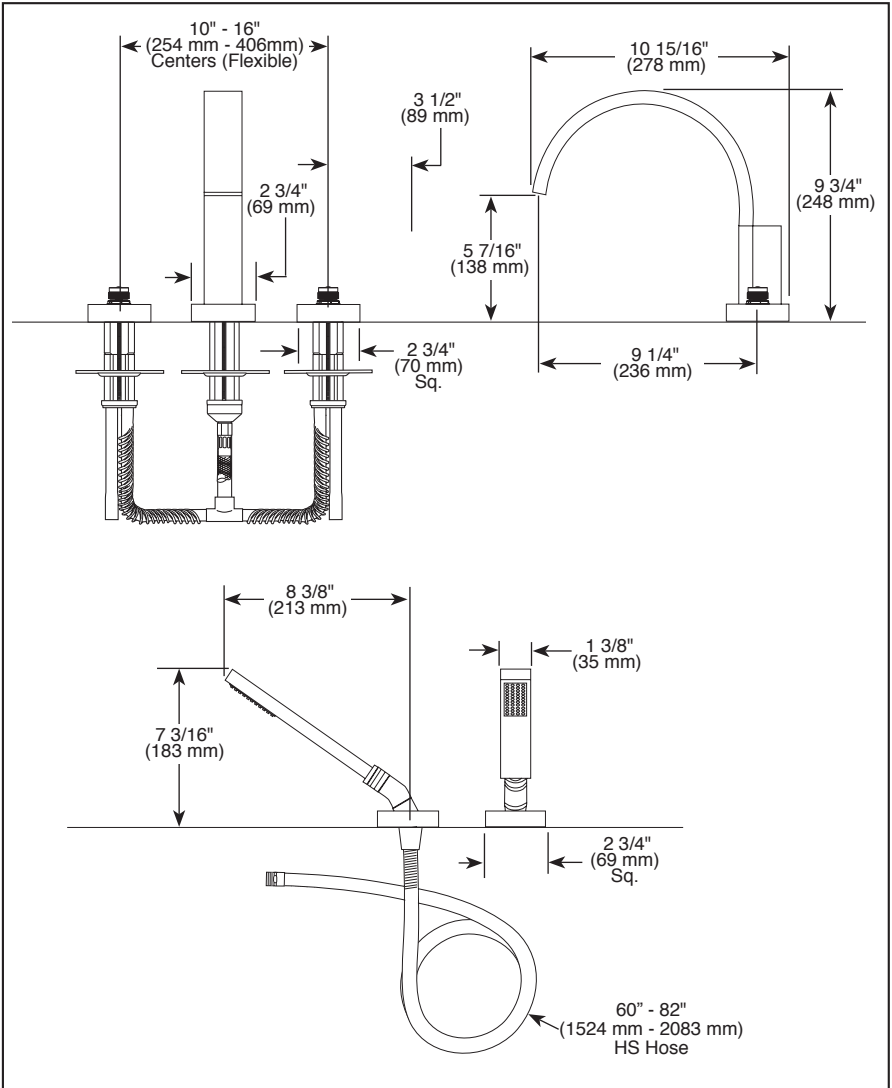


Submitted Model No.: _____
 Specific Features: _____



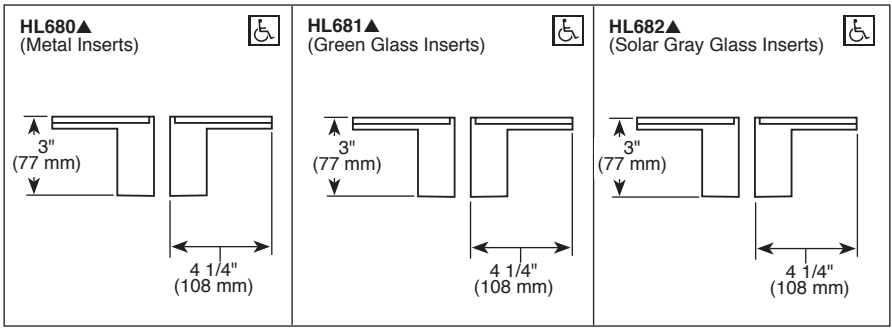
BRIZO®

ROMAN TUB/WHIRLPOOL FAUCET TRIM

- Siderna® Bath Collection
- Three Hole Installation (T67380)
- Four Hole Installation (T67480)
- Rough-In Kit Must Also be Ordered to Complete Installation (R64707 for four hole and R62707 for three hole)

- STANDARD SPECIFICATIONS:**
- Trim Only for two handle Roman Tub faucet for concealed mounting.
 - 10 15/16" (278 mm) long, 9 3/4" (248 mm) high slip-on rigid spout.
 - Temperature and volume controlled with handles.
 - Rough-In kit must also be ordered to complete installation (R64707 for four hole and R62707 for three hole). There are separate specification sheets on each rough-in kit if more details are required.
 - Hand shower includes double check valves for backflow prevention (T67480 & T67481).
 - Hand shower max flow rate 1.75 gpm @ 80 psi, 6.6 L/min @ 550 kPa
 - Minimum 5" (127 mm) to maximum 8" (203 mm) distance between holes.
 - Accomodates up to 2 1/2" deck thickness.
 - Handles sold separately.
 - 60" - 82" (1524 mm - 2083 mm) stretchable finished metal hose.

- WARRANTY**
- Parts and Finish - Lifetime limited warranty; or for commercial purchasers, 10 years for multi-family residential (apartments and condominiums) and 5 years for all other commercial uses, in each case from the date of purchase.
 - Electronic Parts and Batteries (if applicable) - 5 years from the date of purchase; or for commercial purchasers, 1 year from the date of purchase. No warranty is provided on batteries.



▲ Designate proper finish suffix

- COMPLIES WITH:**
- ASME A112.18.1 / CSA B125.1
 - ☑ Indicates compliance to ICC/ANSI A117.1- Valve control only
 - EPA WaterSense® - Applies to T67480-LHP only

Delta reserves the right (1) to make changes in specifications and materials, and (2) to change or discontinue models, both without notice or obligation. Dimensions are for reference only. See current full-line price book or www.brizo.com for finish options and product availability.
 BSP-B-T67380-LHP Rev. H