



California Faucets®

Solimar™

7008 & 70.1

Roman Tub Set and Handshower with Trim Installation Instructions

CALIFORNIA FAUCETS RECOMMENDS THAT ALL PLUMBING PRODUCTS BE INSTALLED BY A LICENSED PROFESSIONAL

IMPORTANT: Read all instructions prior to installation and provide copy of instructions to consumer.

Operating Specifications:

Recommended Supply Pressure: 20 to 70 psi^{††}

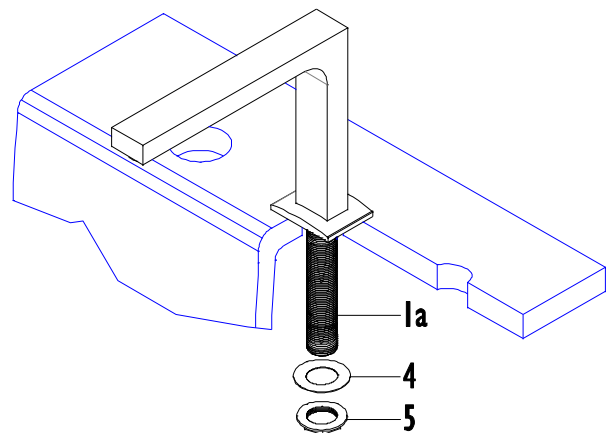
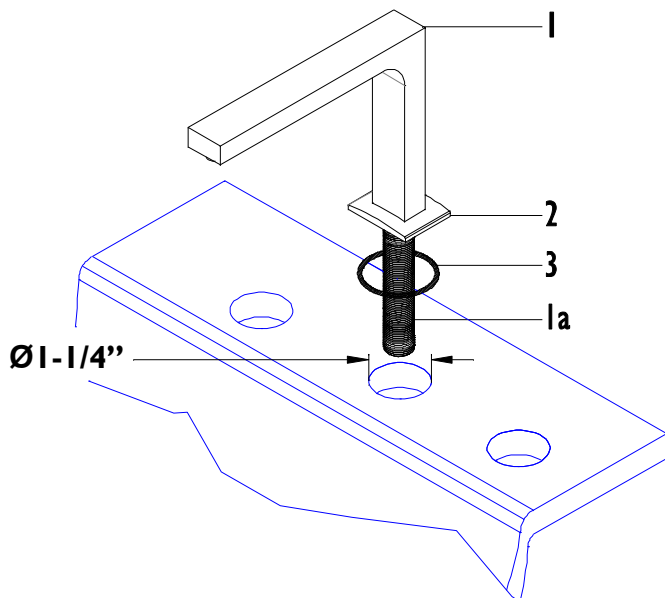
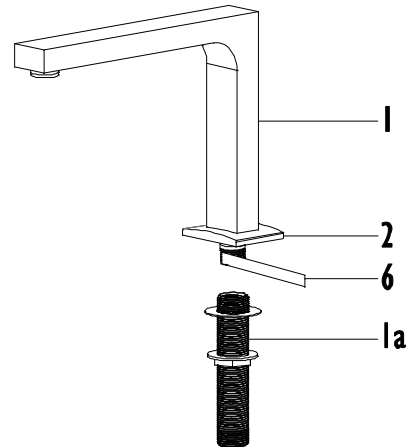
Maximum Flow Rate: 15 gpm

* Operating pressures between hot and cold supplies should vary no more than 30 psi.

† If water pressure exceeds 70 psi, install a Pressure-Reducing Valve (RPV).

I INSTALLING SPOUT

- Tub/Deck recommended hole size shall be $\varnothing 1-1/4"$
- Apply Teflon® tape (6) (not supplied) to threaded portion of SPOUT (1) and securely tighten SHANK (1a) to SPOUT (1)
- Place O-RING (3) into BASE (2) and insert spout SHANK (1a) through deck hole
- From underside place WASHER (4) onto spout SHANK (1a) and secure SPOUT (1) in place with NUT (5)



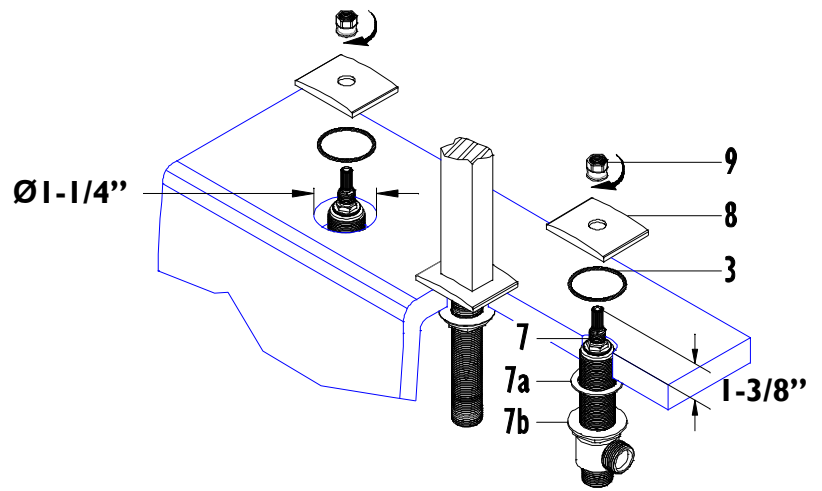
2 INSTALLING VALVE

- Tub/Deck recommended hole size shall be $\varnothing 1-1/4''$
- From underside insert VALVE (7) through appropriate tub/deck hole

IMPORTANT: VALVES (7) are labeled as follows:

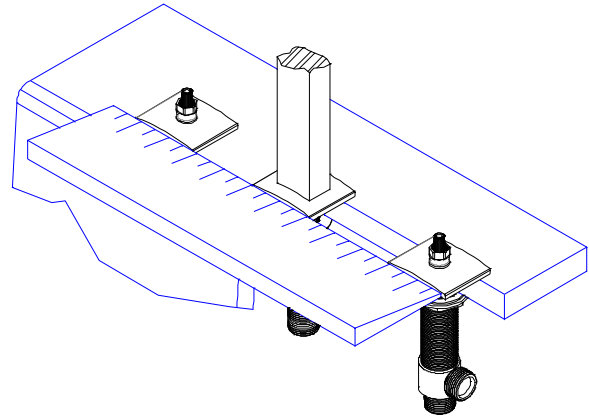
BLUE is **COLD** left turning (counter-clockwise) closed
RED is **HOT** right-turning (clockwise) closed

- Position flange NUT (7b) and WASHER (7a) so that VALVE (7) extends $1-3/8''$ above tub/deck surface
- Insert O-RING (3) into ESCUTCHEON (8) and place onto VALVE (7)
- Secure ESCUTCHEON (8) onto tub/deck by tightening lock NUT (9)



3 ALIGNMENT OF BASES

- Use a ruler or straight edge to align the spout base and escutcheons of the faucet as shown
- After alignment retighten lock nuts and spout nut

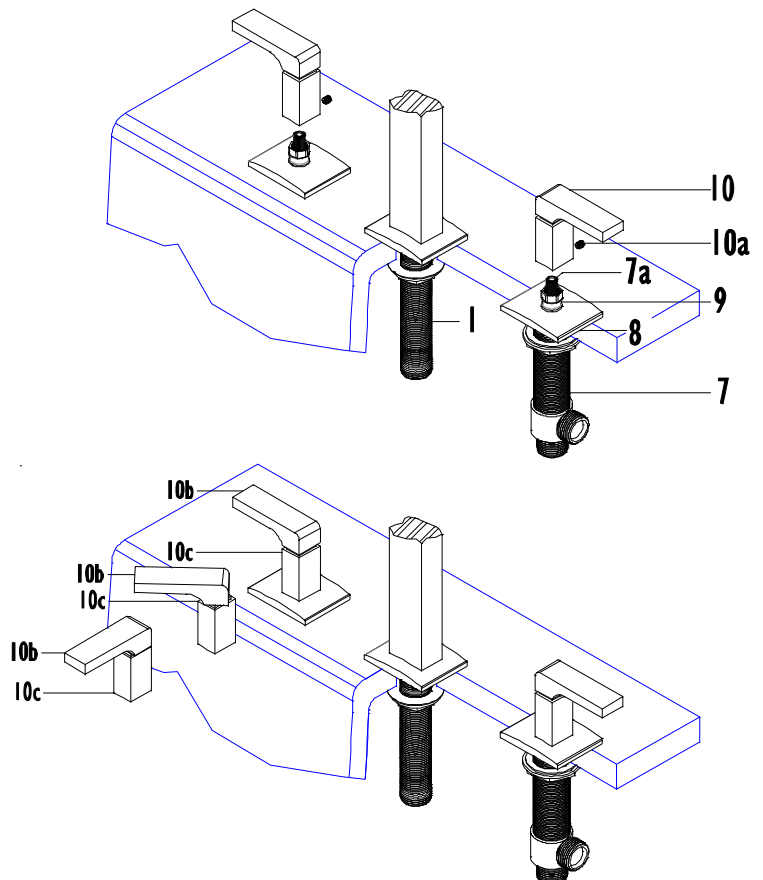


4 INSTALLING HANDLE

- Loosen SETSCREW (10a) from HANDLE (10)
- IMPORTANT:** Handle BLADE (10b) shall be aligned with wider portion of handle POST (10c)
- Slide HANDLE (10) down onto and engage valve STEM (7a)
 - Handle POST (10c) shall completely cover lock NUT (9) and seat against ESCUTCHEON (8)
 - Tighten SETSCREW (10a) and rotate handle BLADE (10b) to check operation, open position is when BLADE (10b) is rotated forward

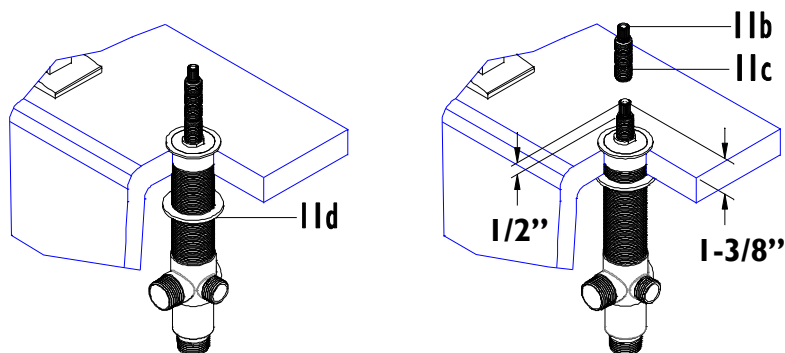
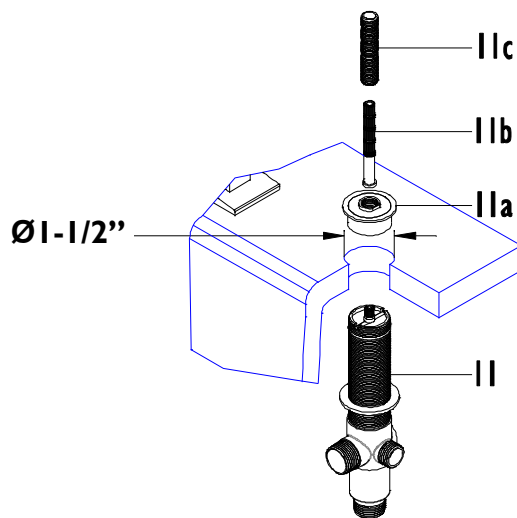
To obtain proper alignment it may be necessary to rotate VALVE (7) so that handle BLADE (10b) is aligned with SPOUT (1). This may be achieved as follows:

- Slightly loosen lock NUT (9)
- Place HANDLE (10) onto valve STEM (7a)
- Rotate VALVE (7) in proper direction to achieve proper alignment of handle BLADE (10b)
- Remove HANDLE (10) and while firmly holding VALVE (7) in position from underneath securely tighten lock NUT (9)
- Then reattached HANDLE (10) as mentioned above



5 INSTALLING DIVERTER VALVE

- Tub/Deck recommended hole size shall be $\varnothing 1-1/2''$
- Unscrew ALLTHREAD (11c), remove STEM (11b) and unscrew diverter TOP NUT (11a)
- From underside slide DIVERTER (11) up through tub/deck hole and reattach TOP NUT (11a); thread TOP NUT (11a) completely onto DIVERTER (11) body
- From underside secure DIVERTER (11) into place by tightening NUT (11d)
- Trim STEM (11b) to a height of 1-3/8" from tub/deck finished surface
- Trim ALLTHREAD (11c) a 1/2" below trimmed STEM (11b) height

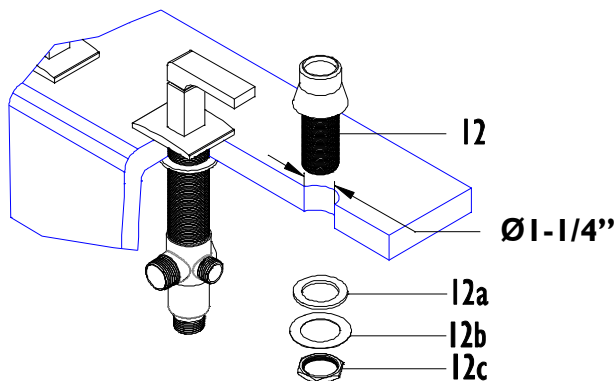


6 INSTALLING HANDLE

- See section 4 above

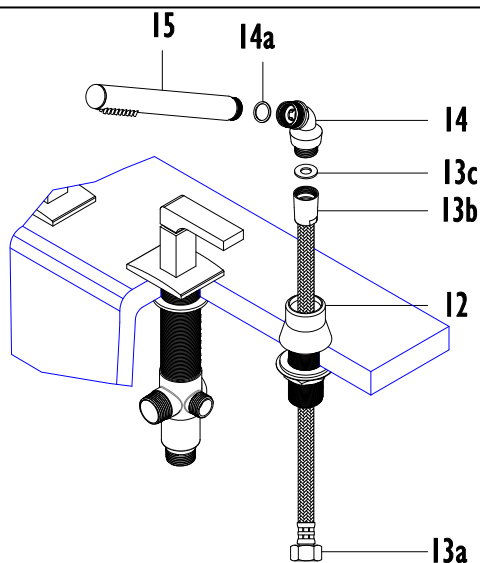
7 DECK HANDSHOWER FLANGE

- Tub/Deck recommended hole size shall be $\varnothing 1-1/4''$
- Place FLANGE (12) down through tub/deck hole
- From underside slide RUBBER WASHER (12a) and STEEL WASHER (12b) onto FLANGE (12)
- Secure FLANGE (12) in place with NUT (12c)



8 INSTALLING HANDSHOWER

- Slide HEX END (13a) of hose through FLANGE (12)
- Insert RUBBER WASHER (13c) into CONICAL END (13b) of hose and tighten to ELBOW (14)
- Place WASHER (14a) into swivel nut of ELBOW (14) and tighten HANDSHOWER (15) to ELBOW (14)



SUPPLY CONNECTS

- Perform all necessary supply connections as shown below base on type of installation
- California Faucets requires that all installation types have access panel(s) to allow for maintenance and/or service

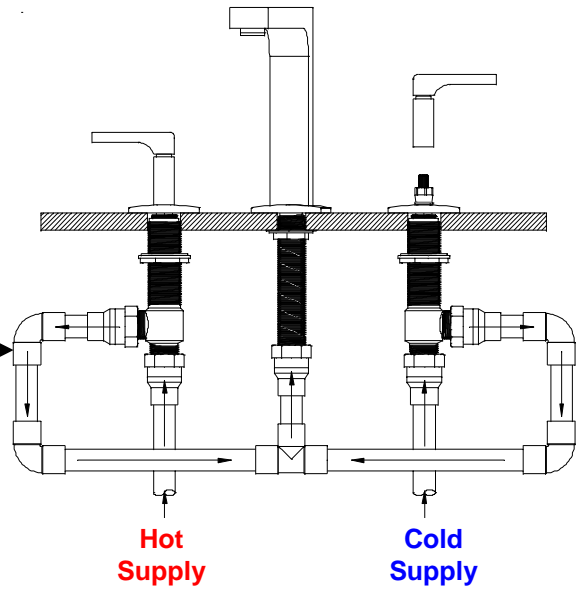
Disclaimer: To conform to many local codes and/or ordinances, it may be required that California Faucets Roman Tub with Handshower sets be installed in conjunction with an ASSE 1070 approved tempering valve to reduce the hot water supply to a safe temperature.

Important: The **INSTALLER** is responsible to check local codes and/or ordinances, to confirm and verify proper maximum hot water temperature settings for all products installed.

Warning: Risk of scalding with water temperatures in excess 110°F (43°C) possible and dangerous which may cause severe scalding and injury.

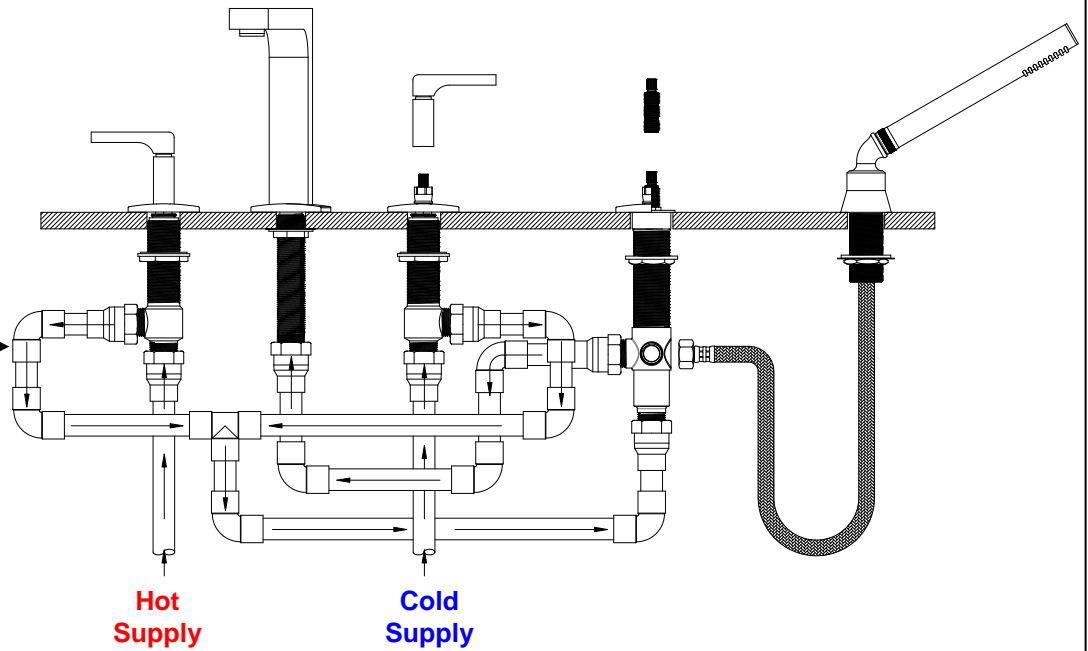
Roman Tub

Use Rigid Copper Pipe



Roman Tub with Handshower

Use Rigid Copper Pipe



Roman Tub with Handshower (with ASSE 1070 Tempering Valve)

Use Rigid Copper Pipe

