



California Faucets®

Descanso®

Single Hole Lavatory/Bar/Prep Faucet - High Spout

Features

- Available in 28 finishes including 13 PVD finishes
- All brass construction
- 5-5/16" spout center to center
- Single handle operation cartridge with ceramic disc
- Flexible braided hoses for ease of installation
- 1.2gpm (4.5 L/min) max flow rate

Codes/Standards Applicable

Product meets or exceeds the following:

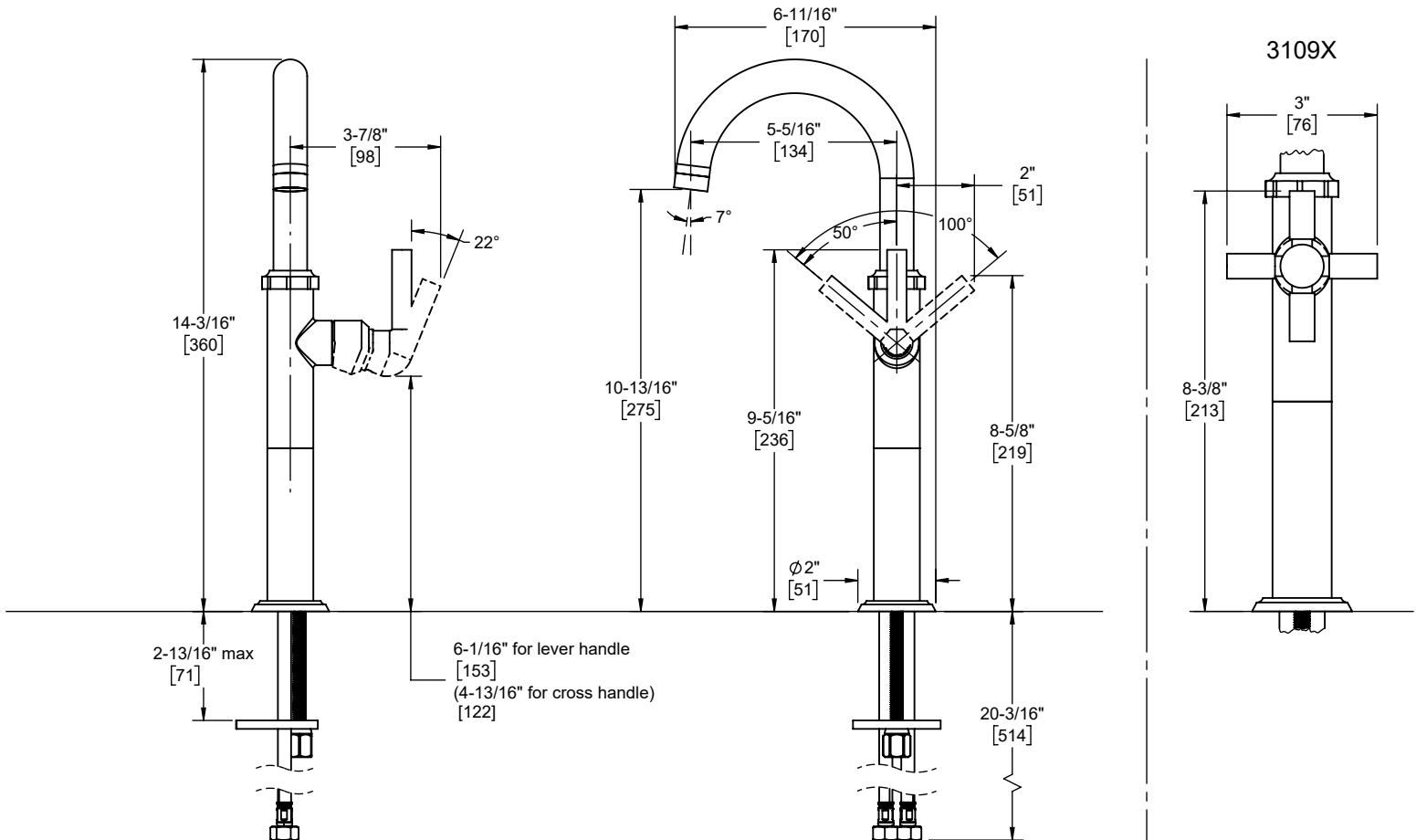
- ASME A112.18.1/CSA B125.1
- NSF 61, NSF 372, CEC & DOE
- EPA WaterSense
- Commonwealth of MA
- ADA compliant (lever handle)



3109-1-SN shown

3109X-1-SN shown

3109-2
 3109F-2
 3109K-2
 3109X-2
 3109XF-2
 3109XK-2



Through-Hole Specifications		
Min	Recommended	Max
Ø1-1/4" [32]	Ø1-3/8" [35]	Ø1-9/16" [40]

Specifications subject to change without notice

Dimensions are inches, rounded to 1/16"
[Dimensions in brackets are mm, rounded to 1mm]