



California Faucets®

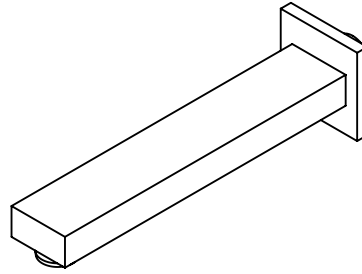
# Morro Bay™

## DELUXE WALL TUB SPOUT

### D-77-77

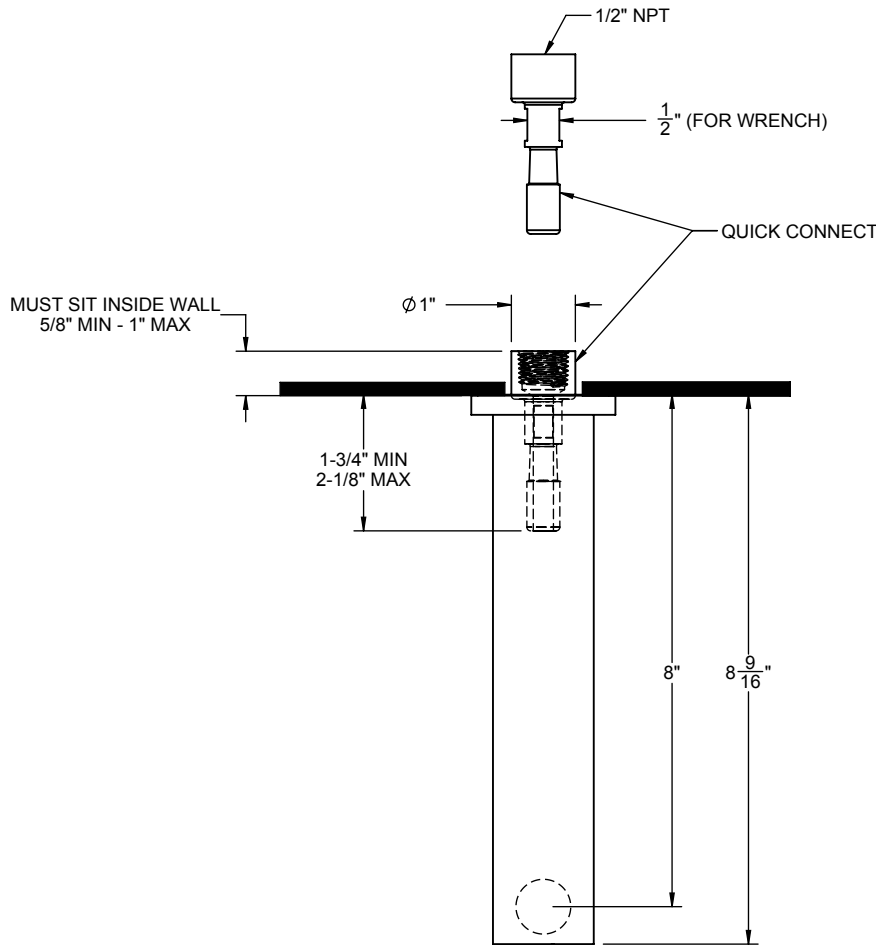
#### Features

- 8" wall to center
- Max flow rate: 10 gpm (37.8 L/min)
- Quick connect
- For use with StyleTherm, 3-VR or 2-VR valves
- All brass construction
- Over 30 finishes including 15 PVD finishes



#### Codes/Standards Applicable

- Product meets or exceeds the following:
- ASME A112.18.1/CSA B125.1



THROUGH-HOLE SPECIFICATIONS		
MIN	RECOMENDED	MAX
Ø 1"	Ø 1-3/8"	Ø 1-9/16"

