



California Faucets®

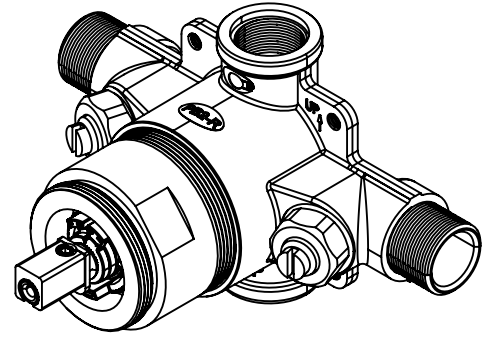
Pressure Balance

1/2" Dual-Outlet Pressure Balance Valve (Rough)

PB2-R

Features

- Forged brass body construction
- Integral service stops with check valves
- Pressure balance anti-scald protection
- Single-handle temperature mixing with dual-outlet
Lower outlet I - handshower, overhead or tub
Upper outlet II - showerhead
- Adjustable high-temperature limit stops
- Reversible cartridge for back-to-back installations
- Flow rate: 5.0 gpm (18.9 L/m) @ 60 psi - each outlet
- 1/2", 1" & 1-1/2" extensions kits available



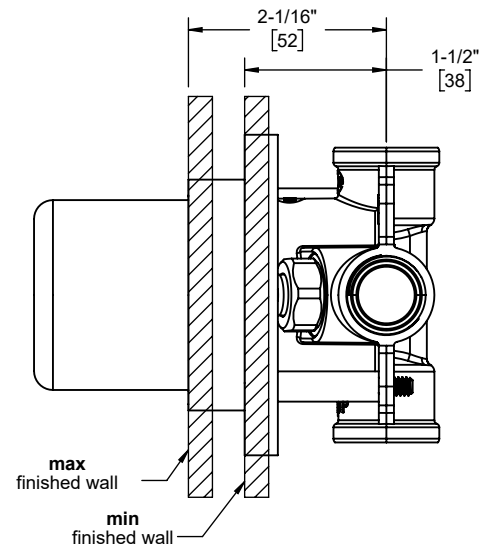
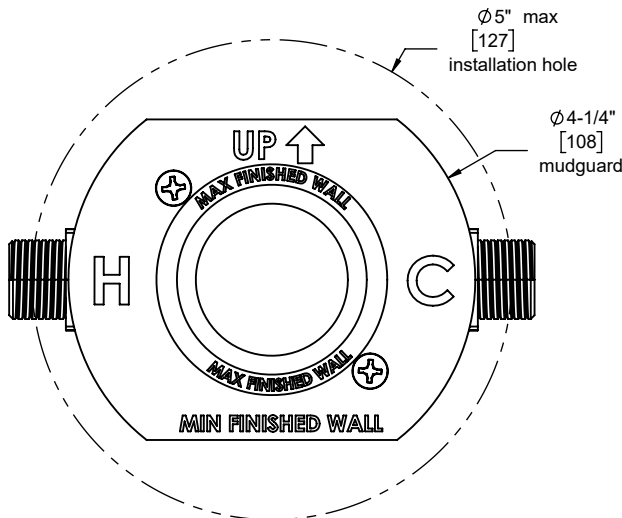
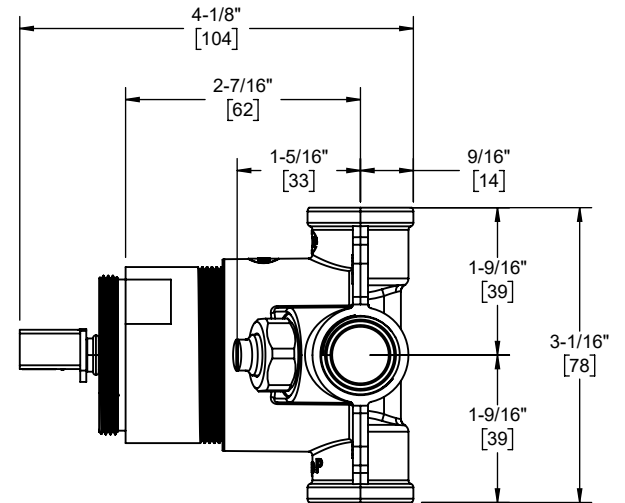
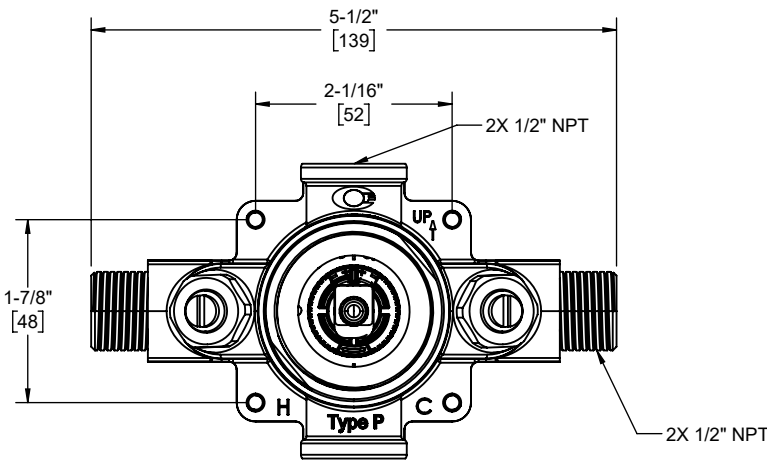
Codes/Standards Applicable

Product meets or exceeds the following:

- ASME A112.18.1-2005/CSA B125.1-05
- ASSE 1016



mudguard not shown



Specifications subject to change without notice