



California Faucets®

Showerhead

5-5/8" Diameter Single Function Traditional

Features

- Available in 28 finishes including 13 PVD finishes
- All brass construction
- Gray spray face
- Self-cleaning rubber jets

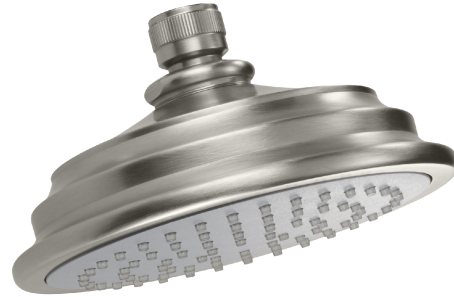
Replace .FR with desired max flow rate:

SH-071.25 for 2.5 gpm

SH-071.18 for 1.8 gpm

SH-071.25

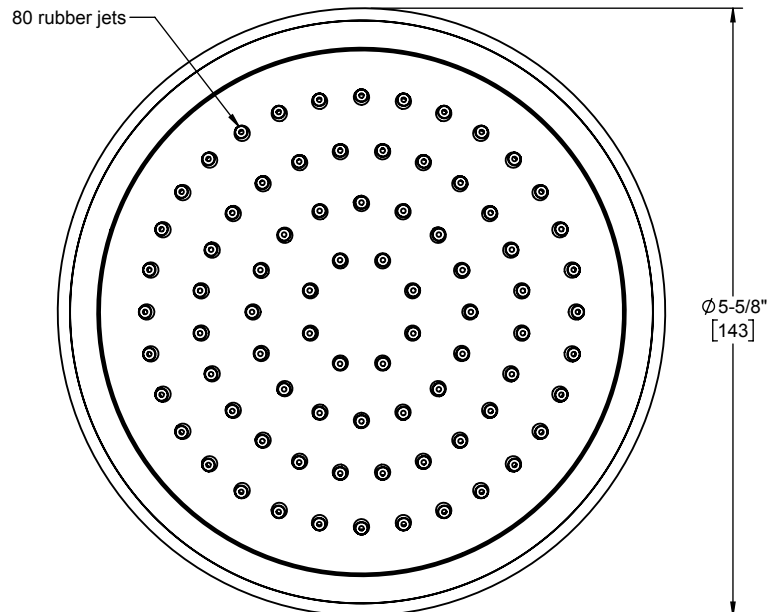
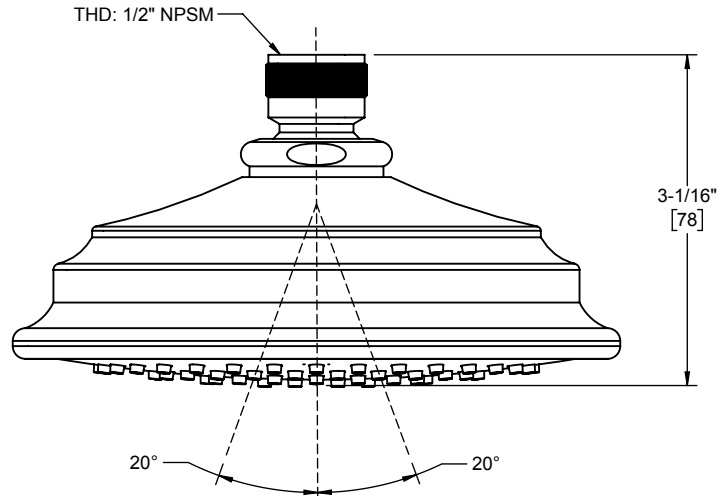
SH-071.18



Codes/Standards Applicable

Product meets or exceeds the following:

- ASME A112.18.1/CSA B125.1
- CEC (1.8 gpm)
- DOE (2.5 & 1.8 gpm)
- Commonwealth of MA



Specifications subject to change without notice

Dimensions are inches, rounded to 1/16"
[Dimensions in brackets are mm, rounded to 1mm]