

**PRODUCT SPECIFICATIONS**

Elkay Lustertone Stainless Steel 33" x 22" x 6-1/2", Offset Double Bowl Top Mount ADA Sink. Sink is manufactured from 18 gauge 304 Stainless Steel with a Lustertone finish, Full spray sides and bottom.

|                              |  |
|------------------------------|--|
| <b>Installation Type:</b>    | Top Mount  |
| <b>Material:</b>             | 304 Stainless Steel  |
| <b>Finish:</b>               | Lustertone   |
| <b>Gauge:</b>                | 18   |
| <b>Sound Deadening:</b>      | Full spray sides and bottom                                      |
| <b>Number of Bowls:</b>      | 2  |
| <b>Sink Dimensions:</b>      | 33" x 22" x 6-1/2"   |
| <b>Bowl 1 Dimensions:</b>    | 14" x 18" x 6-3/8"   |
| <b>Bowl 2 Dimensions:</b>    | 13-1/2" x 16" x 6-3/8"   |
| <b>Drain Size:</b>           | 3-1/2" (89mm)  |
| <b>Minimum Cabinet Size:</b> | 36"  |
| <b>Mounting Hardware:</b>    | Part # 64090014 included for countertops up to 3/4" (19mm) thick |
| <b>Cutout Template #:</b>    | <a href="#">1000001189</a>                                       |

Template is available for download at [elkay.com](#)

**Cutout Dimensions for Top Mount Installation:**

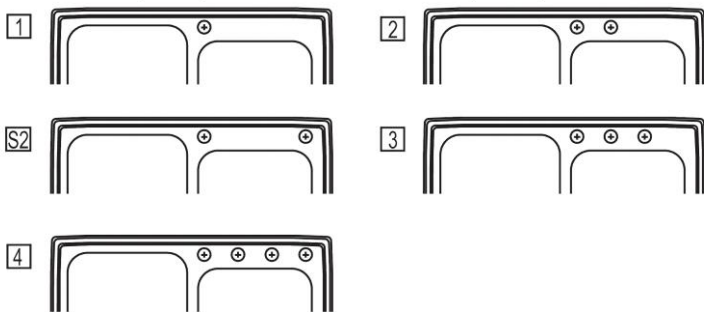
32-3/8" x 21-3/8" (822mm x 543mm) with 1-1/2" (38mm) corner radius



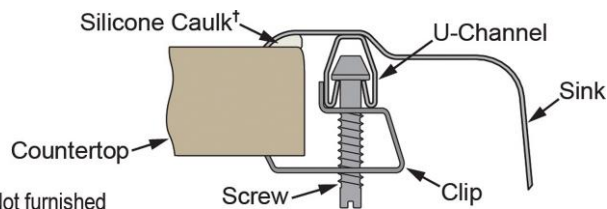
This sink is compliant to ADA and ANSI/ICC A117.1 accessibility requirements when installed according to the requirements outlined in these standards.

**Hole Drilling Configurations:**

1-1/2" (38mm) Diameter Faucet Holes on 4" (102mm) Centers



**Installation Profile:**



†Not furnished

PART: \_\_\_\_\_ QTY: \_\_\_\_\_

PROJECT: \_\_\_\_\_

CONTACT: \_\_\_\_\_

DATE: \_\_\_\_\_

NOTES: \_\_\_\_\_

APPROVAL: \_\_\_\_\_



**AMERICAN PRIDE. A LIFETIME TRADITION.**

Like your family, the Elkay family has values and traditions that endure. For almost a century, Elkay has been a family-owned and operated company, providing thousands of jobs that support our families and communities.

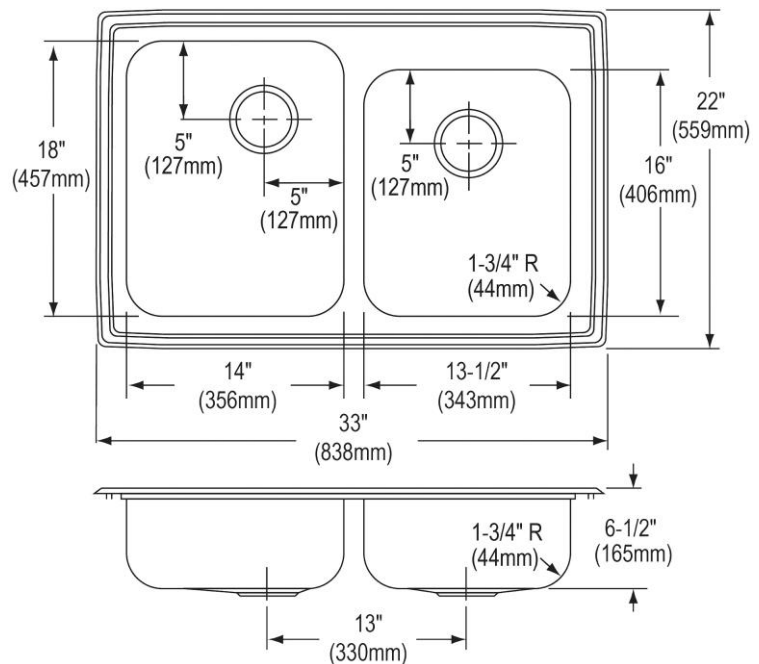


Sinks are listed by IAPMO<sup>®</sup> as meeting the applicable requirements of the Uniform Plumbing Code<sup>®</sup>, International Plumbing Code<sup>®</sup>, and National Plumbing Code of Canada.

**Product Compliance:** ADA & ICC A117.1  
ASME A112.19.3/CSA B45.4  
BUY AMERICAN ACT

[Clean and Care Manual \(PDF\)](#)  
[Installation Instructions \(PDF\)](#)  
[Limited Lifetime Warranty \(PDF\)](#)

**Similar models are available with:** Quick-Clip Mounting System, additional ADA depths



In keeping with our policy of continuing product improvement, Elkay reserves the right to change product specifications without notice. Please visit [elkay.com](#) for the most current version of Elkay product specification sheets. This specification describes an Elkay product with design, quality, and functional benefits to the user. When making a comparison of other producers' offerings, be certain these features are not overlooked.

**OPTIONAL ACCESSORIES**

|                        |                                       |
|------------------------|---------------------------------------|
| <b>Bottom Grid:</b>    | LKWOBG1316SS                          |
| <b>Cutting Board:</b>  | CBS1418, CB1613, CB1713,<br>CBS1316   |
| <b>Drain:</b>          | LK99, LKAD35                          |
| <b>Faucet:</b>         | LKGT1041, LKGT2041                    |
| <b>Hardware:</b>       | LK364, LK463                          |
| <b>Rinsing Basket:</b> | LKWRB1418SS, LKWRB1316SS,<br>LKWERBSS |
| <b>Sinkmate:</b>       | LKSMHSL                               |
| <b>Soap Dispenser:</b> | LKGT1054                              |

*In keeping with our policy of continuing product improvement, Elkay reserves the right to change product specifications without notice. Please visit [elkay.com](http://elkay.com) for the most current version of Elkay product specification sheets. This specification describes an Elkay product with design, quality, and functional benefits to the user. When making a comparison of other producers' offerings, be certain these features are not overlooked.*