



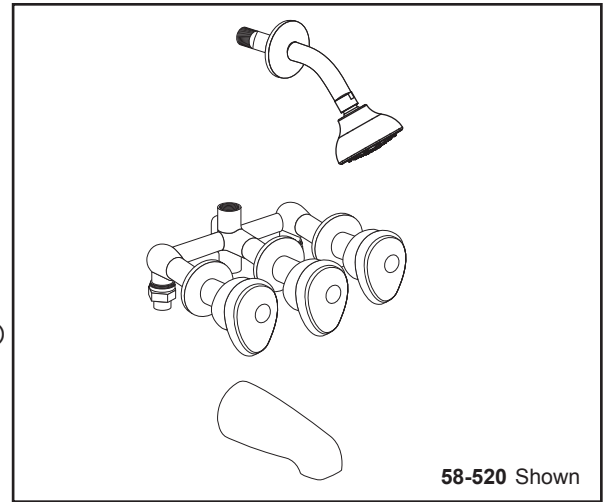
GERBER

58-520 Series Gerber Hardwater® Three Handle Tub & Shower Fittings



Features:

- Ceramaflow ceramic disc cartridges G0098709 & G0098705
- Body cast of high copper content brass
- Exposed parts have heavy chrome plated finish
- Working parts can be easily replaced
- Single function showerhead 49-107 at max. 2.0gmp (7.6L/min)
WaterSense listed
- 1/2" I.P.S. or Sweat water inlet connections
- 8" centers with sliding sleeve escutcheons
- Three valve with center diverter
- Zinc die cast tub spout



58-520 Shown

Standards & Certifications:

- ANSI/ASME A112.18.1M
- ICC/ANSI A117.1
- C/IAPMO
- Watersense

Catalog Numbers:

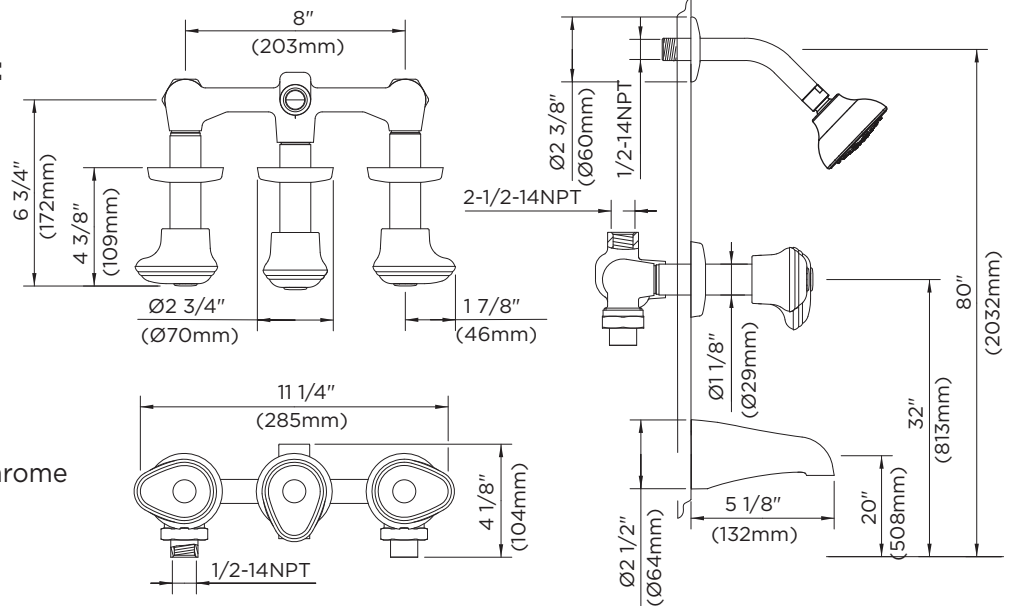
- 58-520 IPS/Sweat, Chrome
- 58-520-81 IPS/Sweat W/Slip
Spout Tub Filler, Chrome

Prefixes Available:

None

Suffixes Available

- 81 Slip Spout Tub Filler



Job Name	
Date	
Model Specified	
Quantity	
Customer	
Contractor	
Architect/engineer	

Gerber Toll Free Technical Support: 888-648-6466
www.gerberonline.com