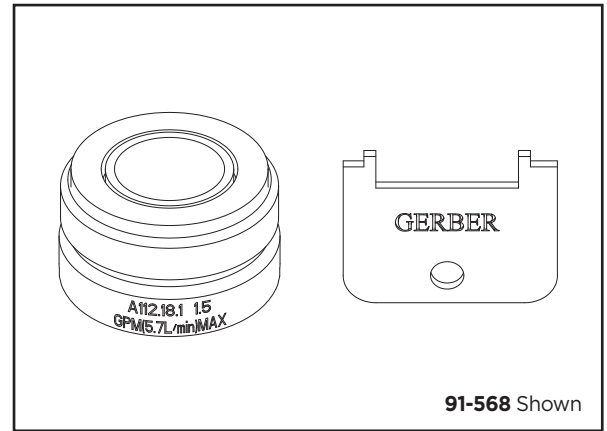




Features:

- Flow rate at 1.5 gallon per minute
- Aerated flow pattern
- Female or male thread available
- Wrench included
- Insert provided by neoperl
- Laser etched "A112.18.1M, 1.5 GPM / 5.7 LPM Max"
- Pressure compensating between 20 psi and 80 psi
- Chrome or brushed nickel (same as SS) or oil rubbed bronze finish available

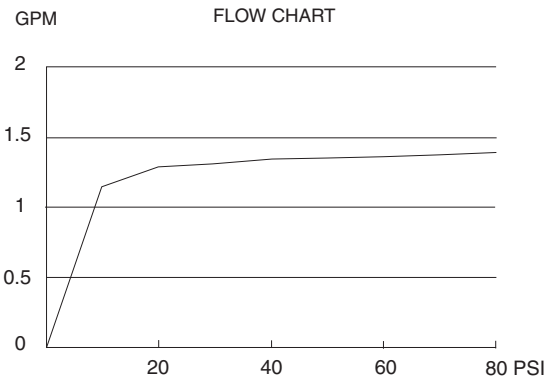
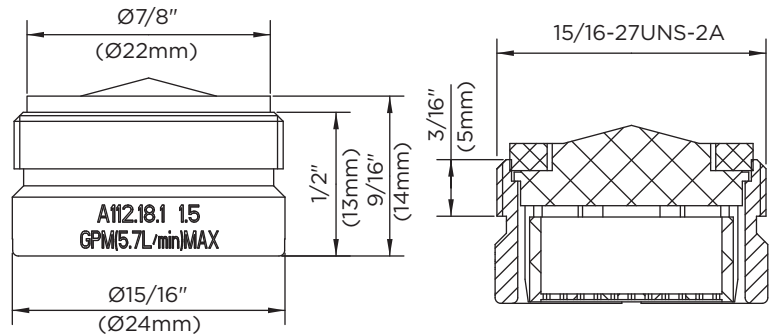


Standards & Certifications:

- ASME A112.18.1M

Catalog Numbers:

- 91-568** 1.5GPM, Reg, Male, Aerated
- 91-567** 1.5GPM, Jr, Female, Aerated
- 91-556** 1.5GPM, Jr, Male, Aerated
- 91-557** 1.5GPM, Reg, Female, Aerated
- 91-577** 1.5GPM, Male, Aerated for Brianne series
- 97-288** 1.5GPM Insert, Aerated, Brianne Kitchen Pull Out
- GA66D663N** 1.5GPM, Male, Aerated, Waveland
- 91-573** 1.5GPM, Reg, Male, VP, Aerated
- 91-574** 1.5GPM, Reg, Female, VP, Aerated
- GA603379N** 1.5GPM, Male, Laminar, Electronic Faucet
- GA603366N** 1.5GPM, Male, Laminar, Electronic Faucet
- GA603369N** 1.5GPM, Female, Laminar, Electronic Faucet



Prefixes Available:

None

Suffixes Available:

None

Job Name	
Date	
Model Specified	
Quantity	
Customer	
Contractor	
Architect/engineer	