

SPECIFICATIONS

Features/Benefits



- 1.2 gpm (4.5 L/min) Max Flow @ 60 psi with Laminar Water Stream
- Alternative Flow Rates Available with Spray Water Stream
 - 1.0 gpm (3.8 L/min) When Used with DA613074N Aerator
 - 0.5 gpm (1.9 L/min) When Used with DA613075N Aerator
- 5 3/4" Spout Height, 4 5/8" Spout Reach
- Ceramic Disc Cartridge
- Includes 50/50 Touch-Down Drain Assembly
- 3-Hole Mount
- Optional Temperature Indicators Included

Available Color/Finishes

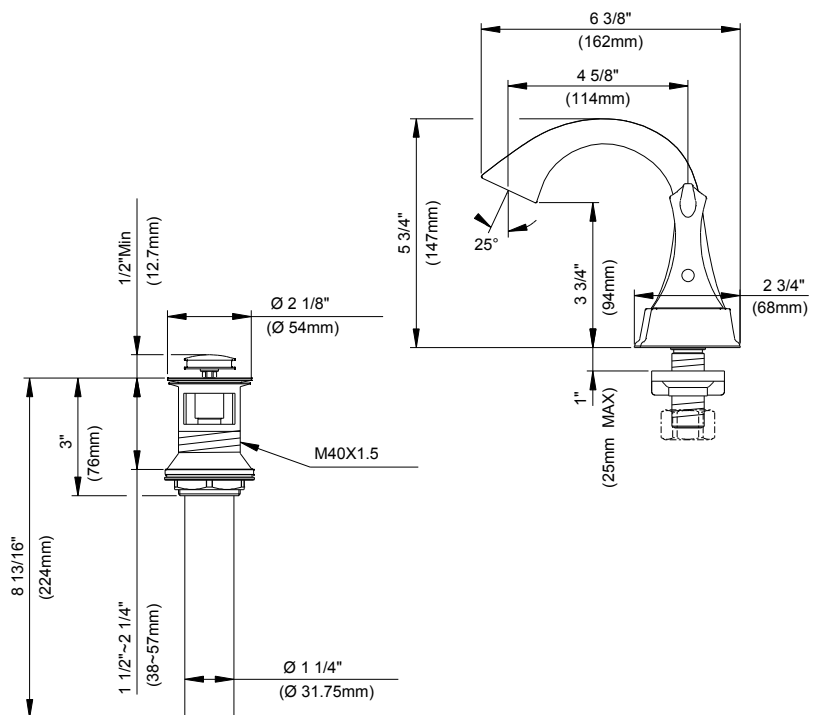
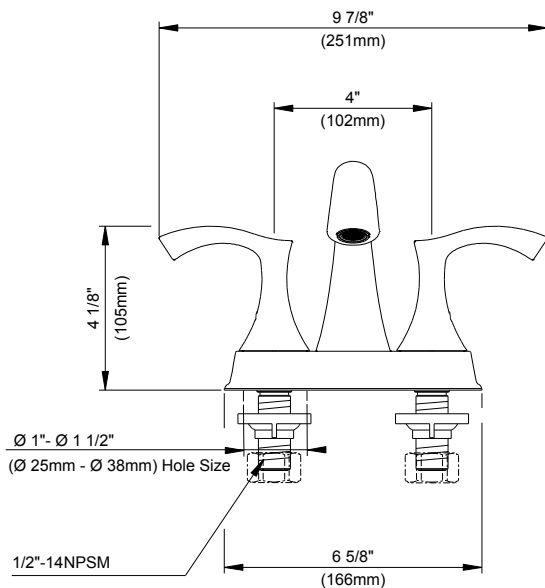
Chrome

Please see gerberonline.com or current price list for available finishes. Finish is defined by additional suffix.

Mount Type



Standards & Certifications



Submittal Information:

Name: _____
 Location: _____

Contractor: _____
 Contact #: _____