



# GERBER

www.gerberonline.com

## Maxwell® 1.6 GPF ErgoHeight™ ADA Elongated Toilet

14" Rough-in

### Features:

#### □ MX-21-424

- Vitreous china
- Combination bowl and tank
- 3" Flush valve
- 14" Rough-in
- Round Front bowl
- Dual-fed siphon jet action bowl (no splashing)
- 2" Fully Glazed trapway for effective waste removal
- Color matched metal tank lever
- 6 point tank to bowl connection for tank stability
- Sanitary bead for easy cleaning
- Color matched Bolt caps included
- Toilet seat not included



### Technical Information:

#### Included Components:

- Combination      MX-21-424
- Bowl                21-928
- Tank                MX-28-994

### Fixtures:

Configuration	Two-piece, ADA elongated
Water per Flush	1.6 gpf (6 lpf)
Rough-In	14"
Height	29 7/8"
Width	17 1/2"
Depth	30 1/8"
Trapway	2"
Large Water Surface	10" x 7 1/4"
Shipping Weight	76 lbs

### Accessories:

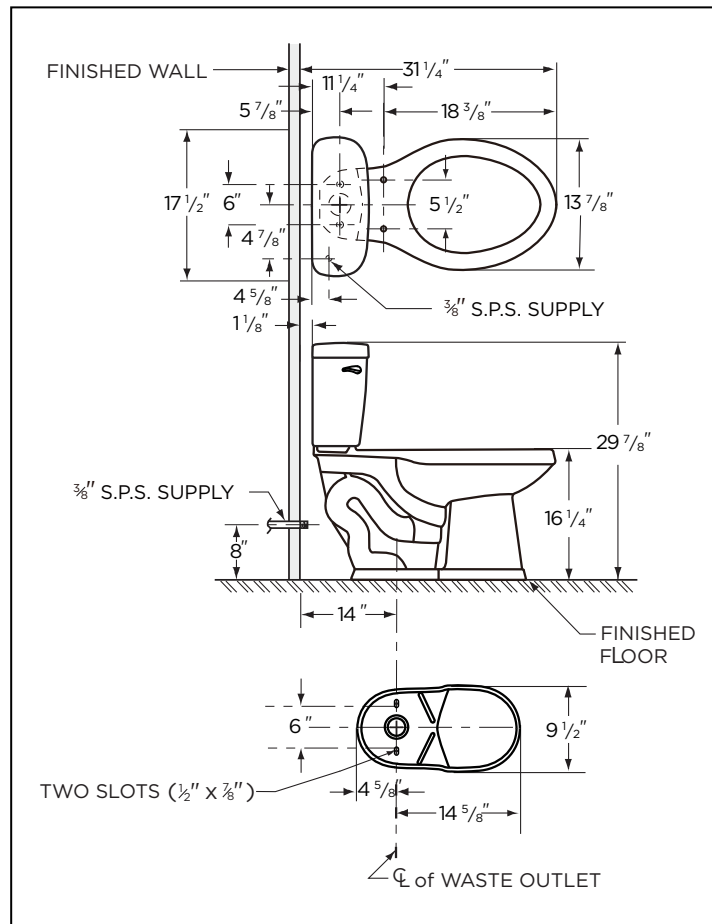
Soft Close Toilet Seat	99-213
------------------------	--------

### Colors/Finishes:

- White
- Other: Refer to Price Book for additional colors/finishes

### Warranty:

- Limited lifetime warranty



NOTES: All dimensions are in inches. Illustrations may not be drawn to scale.

#### IMPORTANT:

Dimensions of fixtures are nominal and may vary within the range of tolerances established by ASME standard A 112.19.2 THIS FIXTURE QUALIFIES ACCORDING TO ASME TEST PROCEDURES AS A HIGH EFFICIENCY WATER CLOSET WITH AN AVERAGE CONSUMPTION OF 1.28 gpf (4.8 Lpf) OR LESS.