

# GERBER

VITREOUS CHINA  
TOILET  
**WS-20-910**

LAVATORIES

TOILETS

BIDETS / URINALS

CAST IRON

## MAXWELL® 1.28 Elongated Toilet

10" Rough-in

### Features:

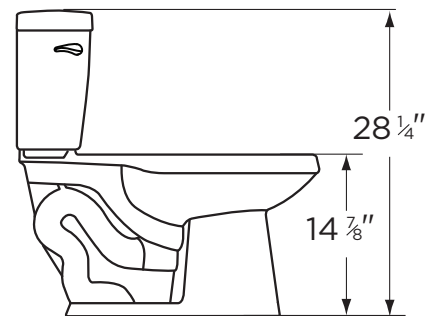
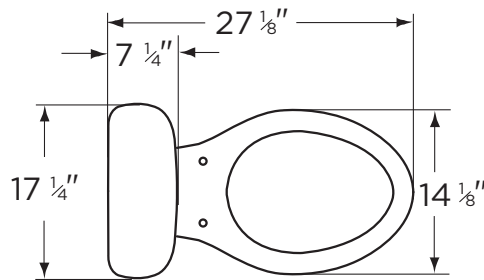
- 1.28 gpf/4.8 Lpf high efficiency two-piece toilet
- Elongated Bowl
- Dual-fed siphon jet
- Pilot fill valve
- 3" flush valve
- 2" glazed trapway
- Color matched front tank lever (white only)
- Available in White
- 2 bolt caps
- Seat not included



### Dimensions:

Height ..... 28 1/4"  
 Width ..... 17 1/4"  
 Depth ..... 27 1/8"  
 Rough-in ..... 10"  
 Water Surface from Rim ..... 5 7/8"  
 Trapway ..... 2"  
 Water Surface ..... 10 7/8" x 7 1/2"  
 Water Seal ..... 2 3/8"  
 Shipping Weight ..... 73 lbs

**Specifications:** Bowl—#MX-21-962 Elongated Bowl Tank—#28-995



THIS FIXTURE QUALIFIES ACCORDING TO ASME TEST PROCEDURES AS A HIGH-EFFICIENCY WATER CLOSET WITH AN AVERAGE CONSUMPTION OF 1.28 gpf (4.8 Lpf) OR LESS.

Job Name	
Date	
Model Specified	
Quantity	
Customer	
Contractor	
Architect/engineer	

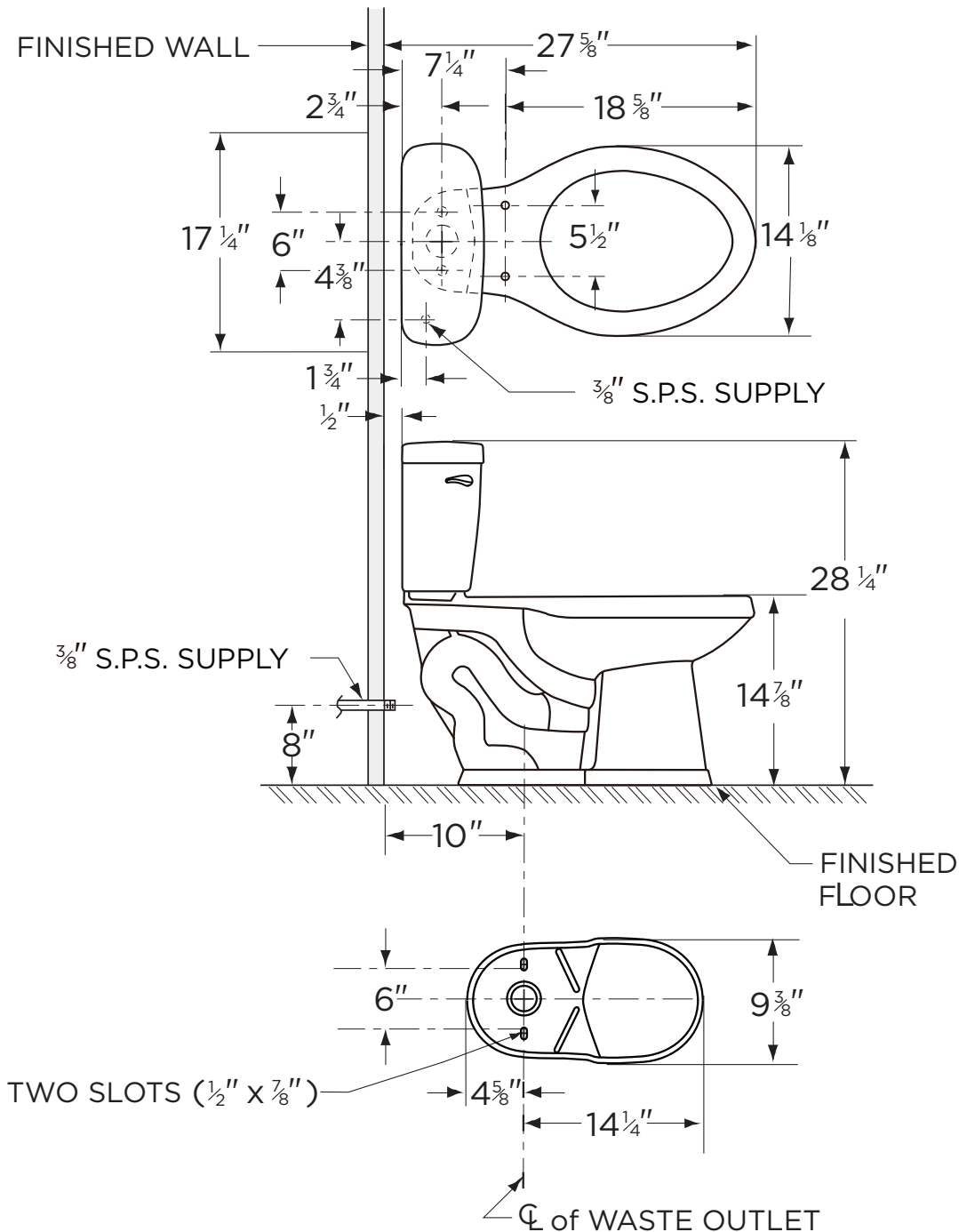
HIGH EFFICIENCY TOILET  
**HET**



[www.gerberonline.com](http://www.gerberonline.com)

# GERBER®

1.28 gpf (4.8 Lpf) MAXWELL® 1.28 TOILET  
WS-20-910  
Elongated, 10" Rough-in  
(Bowl MX-21-962 with Tank 28-995)



**NOTES:**

All dimensions are in inches.

Illustrations may not be drawn to scale.

**IMPORTANT:**

Dimensions of fixtures are nominal and may vary within the range of tolerances established by ASME Standard A 112.19.2.

THIS FIXTURE QUALIFIES ACCORDING TO ASME TEST PROCEDURES AS A HIGH-EFFICIENCY WATER CLOSET WITH AN AVERAGE CONSUMPTION OF 1.28 gpf (4.8 Lpf) OR LESS.