

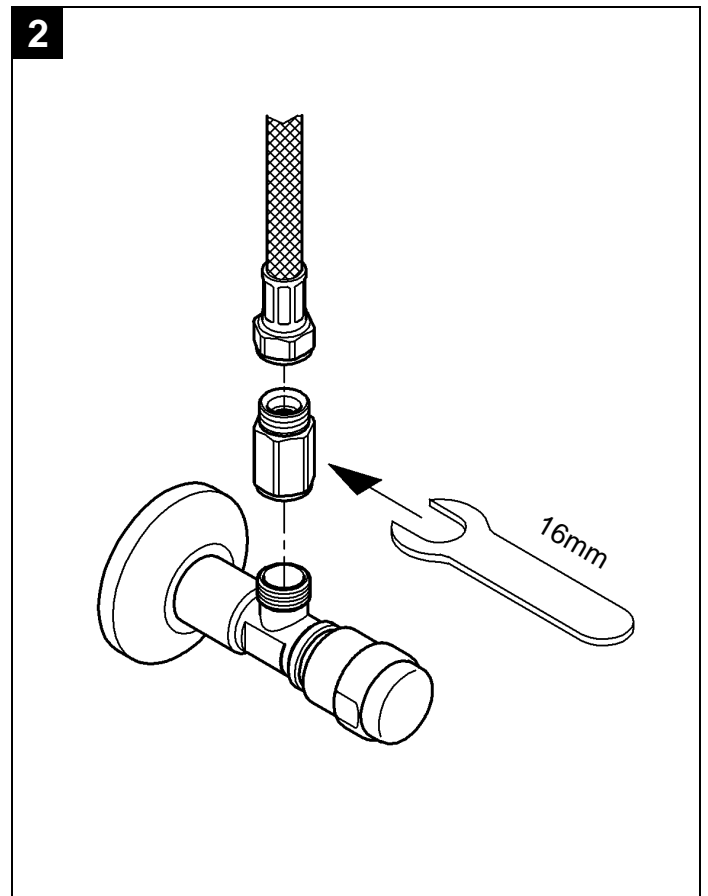
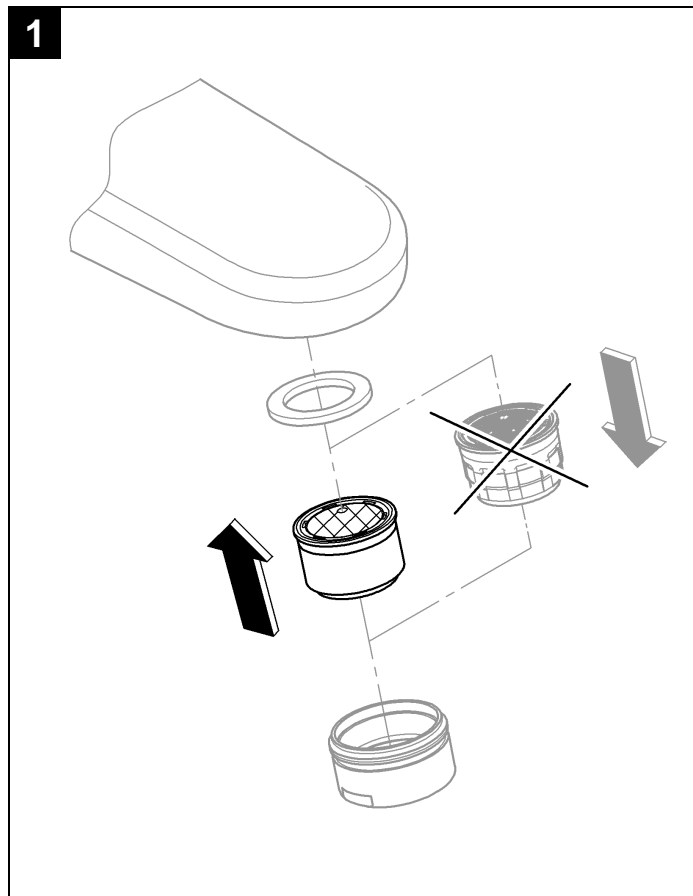
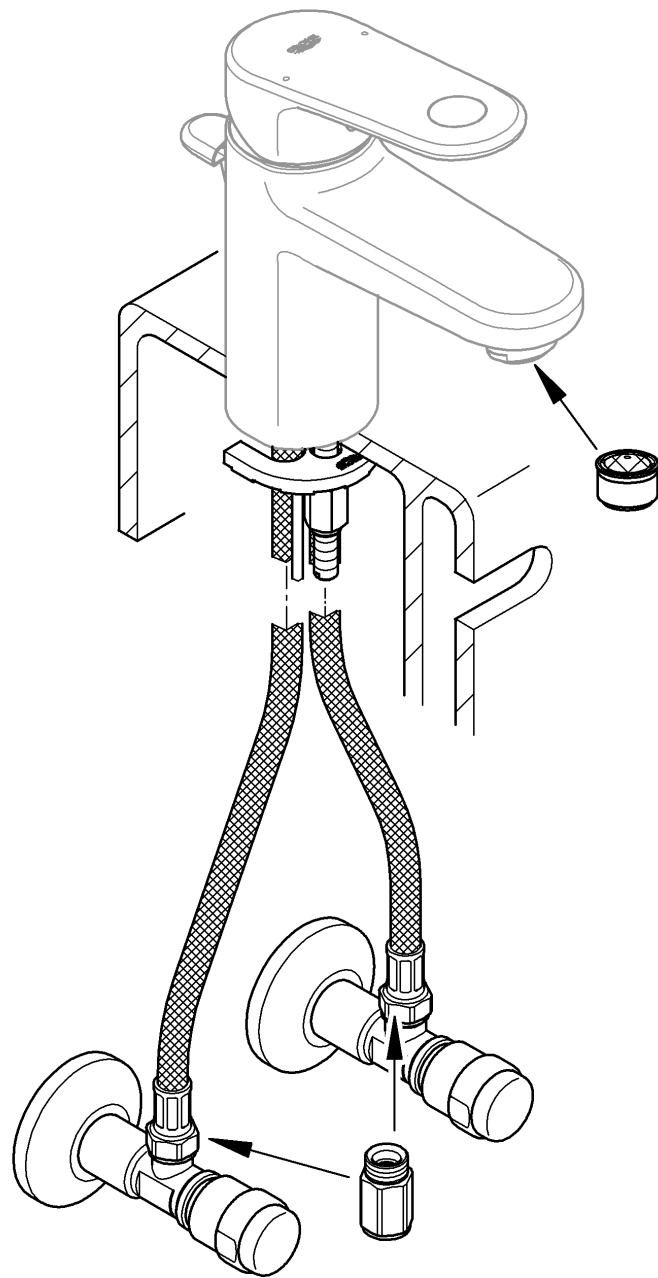
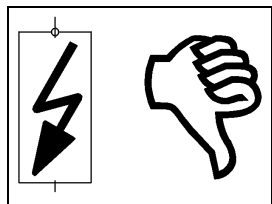
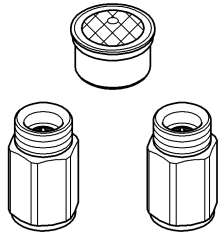


ENJOY WATER®

48 186 (1.0gpm)
(4l/min)

48 187 (0.5gpm)
(2l/min)

48 188 (0,35gpm)
(1,4l/min)





ENJOY WATER®

48 189 (1.0gpm)
(4l/min)

48 190 (0.5gpm)
(2l/min)

48 191 (0,35gpm)
(1,4l/min)

