

35111

GROHSAFE™ 3.0 PRESSURE BALANCE VALVE ROUGH WITH PEX CRIMP OUTLETS

Pure Freude
an Wasser



STANDARD SPECIFICATION:

- 1/2" PEX crimp (ASTM F1807) inlets
- 1/2" Universal outlets
- Includes plug for 3-port installation
- Flush plug included
- Made of DZR Brass
- Service stops
- Can be tested using flush plug with air (200 psi) or water (300 psi).
- Cartridge ships with the trim



PRODUCT FEATURES:



CERTIFICATIONS:

- ASSE 1016
- CSA B125.1
- CSA B125.16
- ASME A112.18.1
- ASME A112.1016

AVAILABLE FINISHES:

35111000

GROHE NO FINISH

NOTE: Install this product according to the installation guide. ADA, CSA compliant when installed to the specific requirements of these regulations.

Tel: 1.630.582.7711 Fax: 1.630.582.7722

We reserve the right to make revisions without notice to product specifications.

For the most current Specification Sheet, go to www.grohe.us.

03-19-2020

PART OF **LIXIL**

35111

GROHSAFE™ 3.0 PRESSURE BALANCE VALVE ROUGH WITH PEX CRIMP OUTLETS

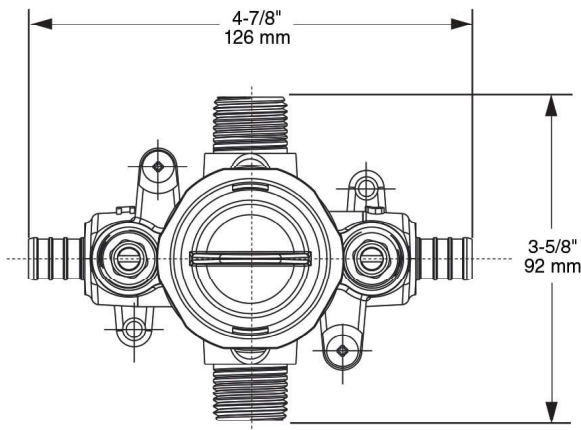
Pure Freude
an Wasser



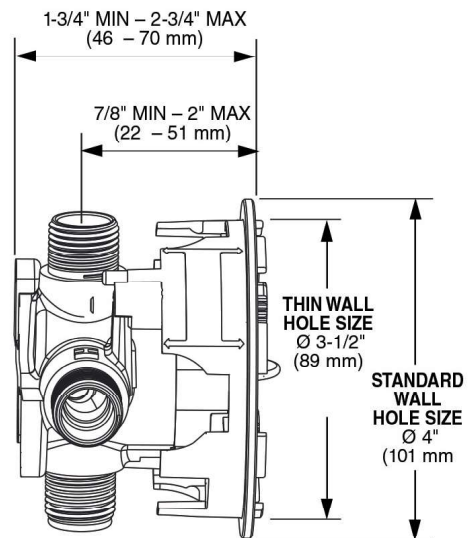
35 111 000

INLETS
1/2" PEX
(ASTM F1807-2)

OUTLETS
1/2" NOM.
COPPER SWEAT
OR 1/2" NPT



SIDE VIEW



Tel: 1.630.582.7711 Fax: 1.630.582.7722

We reserve the right to make revisions without notice to product specifications.

For the most current Specification Sheet, go to www.grohe.us.

03-19-2020

PART OF **LIXIL**