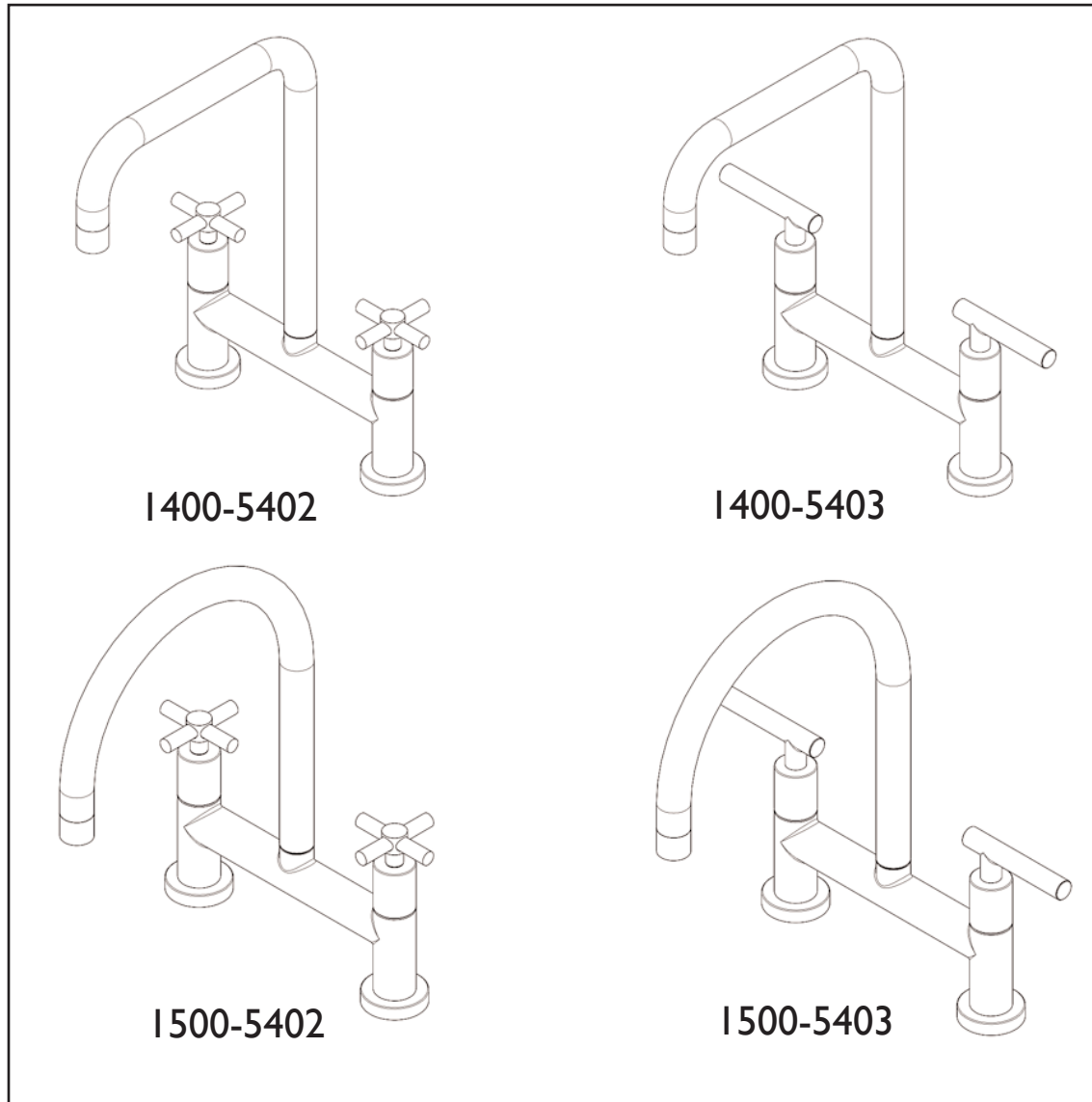


# INSTALLATION INSTRUCTIONS

## KITCHEN BRIDGE SET

Model No's: 1400-5402, 1400-5403, 1500-5402, 1500-5403



# NEWPORT BRASS

Flawless Beauty. From Faucet to Finish.™

2001 CARNEGIE AVE, SANTA ANA CA 92705

(949) 417-5207

[WWW.NEWPORTBRASS.COM](http://WWW.NEWPORTBRASS.COM)

# Recommended Installation by a Professional Plumbing Contractor

**Note:** The use of petroleum base plumbers putty on our products will nullify the warranty. We recommend the use of clear silicone sealing materials. Recommended deck hole Ø1.25.

1. Install bridge BODY (1) onto mounting surface. Secure both sides in place with flange NUT (2). See Figure 1.
2. Connect hot/cold water supply to appropriate 1/2" NPSM bridge BODY (1), utilizing one of the three following types of risers. Supply risers not included. See Figure 2.
  - a. 1/2" IPS flexible riser: discard rubber nosecone WASHER (3), friction WASHER (4) and coupling NUT (5).
  - b. 3/8" or 1/2" OD bullnose riser: utilize friction WASHER (4) and coupling NUT (5).
  - c. 1/2" copper riser: utilize rubber nosecone WASHER (3), friction WASHER (4) and coupling NUT (5).
3. Remove AERATOR (6) from spout, turn on water supply, and flush both valves until water is clear. Check for leaks and make any final adjustments required. Re-attach AERATOR (6) to the spout.

