

**Body Spray**  
**2178**



**Features**

- Solid brass construction
- Traditional styling
- Single function spray
- Rubber nozzles facilitate easy cleaning
- Ball and socket design having a range of 60 degrees
- 1/2" NPSM inlet fitting
- 2.50" (6.4 cm)
- Body Spray diameter
- 1.8 GPM (6.8 LPM) Max

**Codes / Standards Compliance**

Meets or exceeds the following at date of manufacture:

- ASME A112.18.1/CSA B125.1-18
- IAMPO/cUPC
- IPC
- Energy Policy Act of 1992
- California Energy Commission
- ASME A112.18.3 (Back Flow)
- All applicable US Federal and State material regulations



**Colors / Finishes**

- 10B: Oil Rubbed Bronze
- 15: Polished Nickel
- 15S: Satin Nickel - PVD
- 26: Polished Chrome
- Other: Refer to the Newport Brass catalog for additional color/finish options.

**Specified Model**

Model	Description	Colors   Finishes
2178	Body Spray	<input type="checkbox"/> 10B <input type="checkbox"/> 15 <input type="checkbox"/> 15S <input type="checkbox"/> 26 <input type="checkbox"/> Other

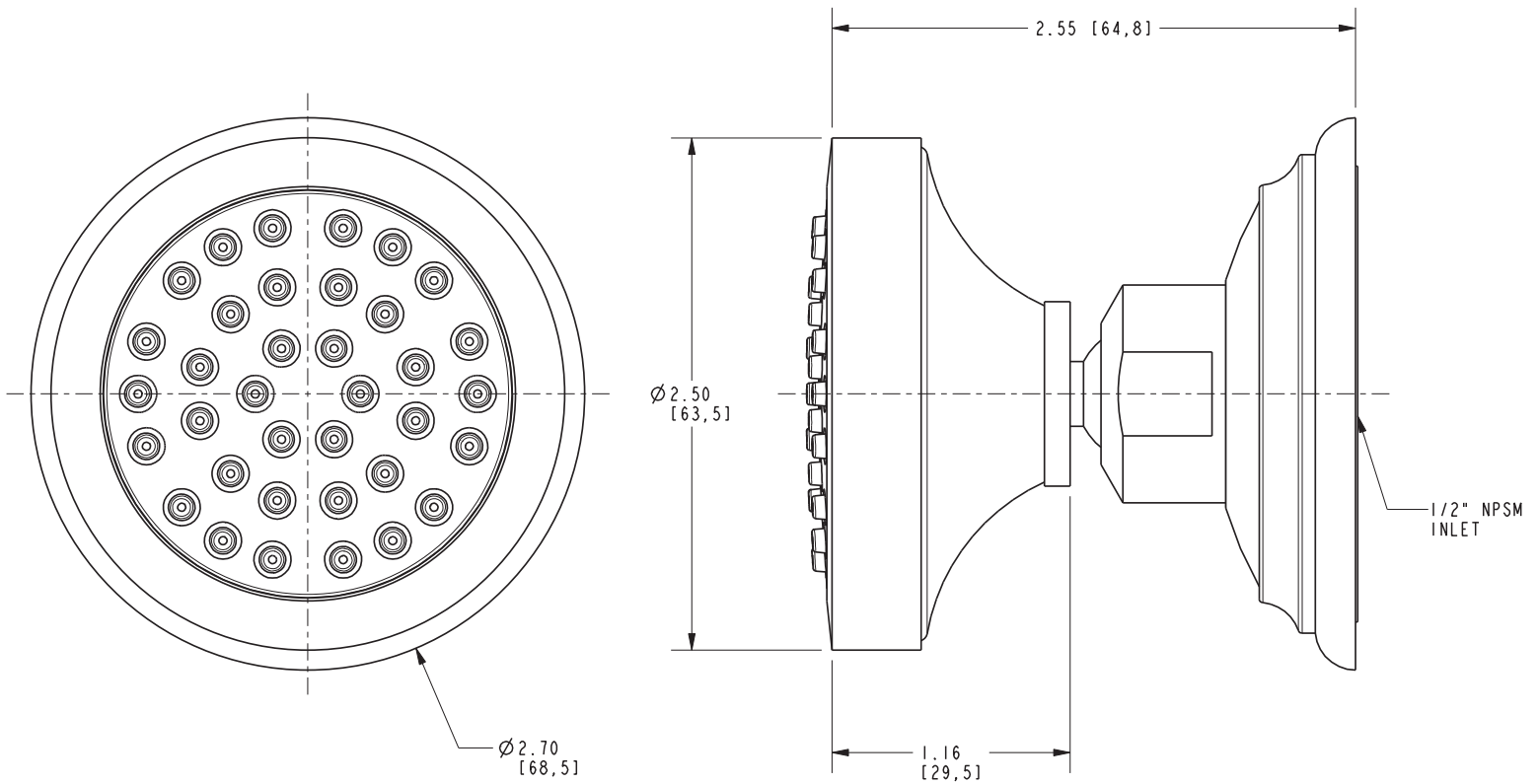
**Product Specification** Add "Color / Finish" suffix to Model number, below.

The Body Spray shall be of solid brass construction. Body Spray shall have a single function spray pattern incorporating rubber nozzles to facilitate easy cleaning. Body spray shall have a 1/2" NPSM inlet fitting and 2.50" (6.4 cm) diameter while operating at 1.8 gallons (6.7 liters) per minute maximum flow rate. Body Spray shall be Newport Brass Model 2178/\_\_\_\_.

# 2178

## PRODUCT DIMENSIONS *(Units are in inches)*

Product Dimensions are provided for reference only. For specific product installation guidelines, please reference the Installation Instructions of the product being installed.



### Newport Bath Body Spray 2178