

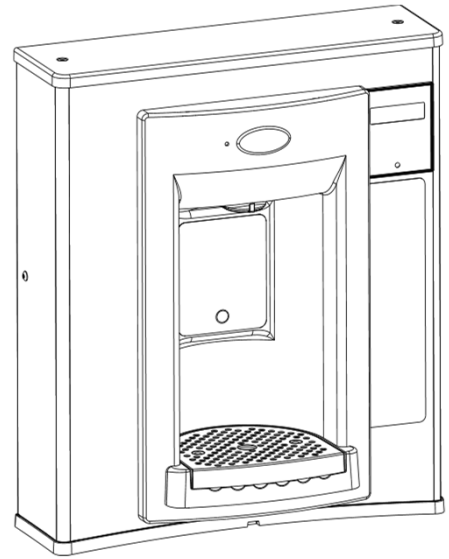
# OASIS® Water Coolers

## QUASAR Hands-Free Bottle Filler

### UVC-LED WATER TREATMENT

### Model PWEBQ and PWF2EBQ (retro fit) and PG\*EBQ Family of Drinking Fountains/Bottle Filler combo

### Installation Instructions



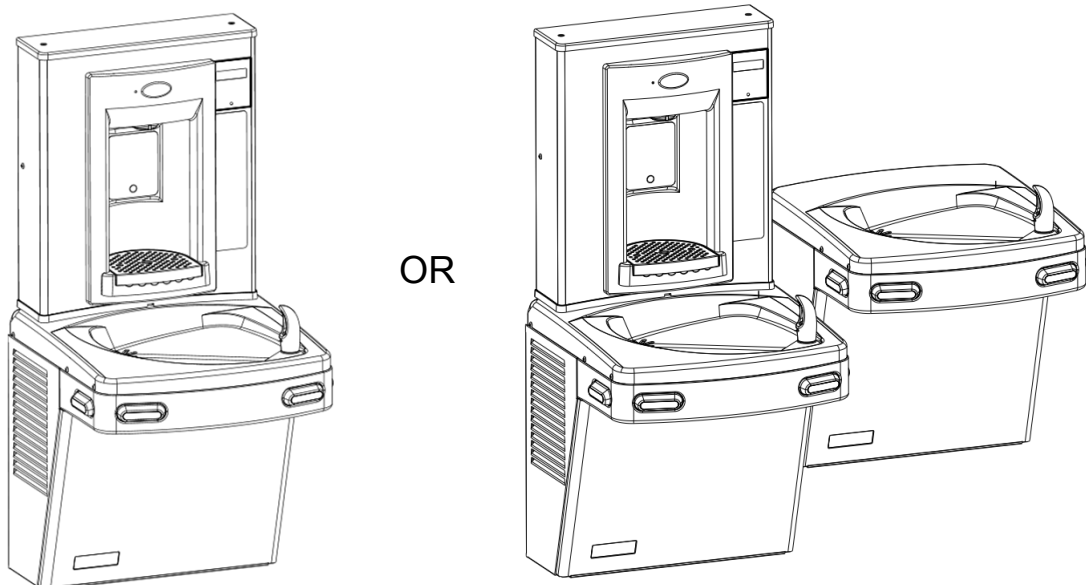
The Hands-Free Bottle Filler mounts directly above Versacooler® I and II products. If the cooler electrical outlet does not have two useable plugs, an outlet splitter will need to be used.

If installed onto a refrigerated cooler, chilled water can be dispensed through the Bottle Filler. Otherwise, room temperature water will be dispensed.

The Bottle Filler is shipped partially assembled.

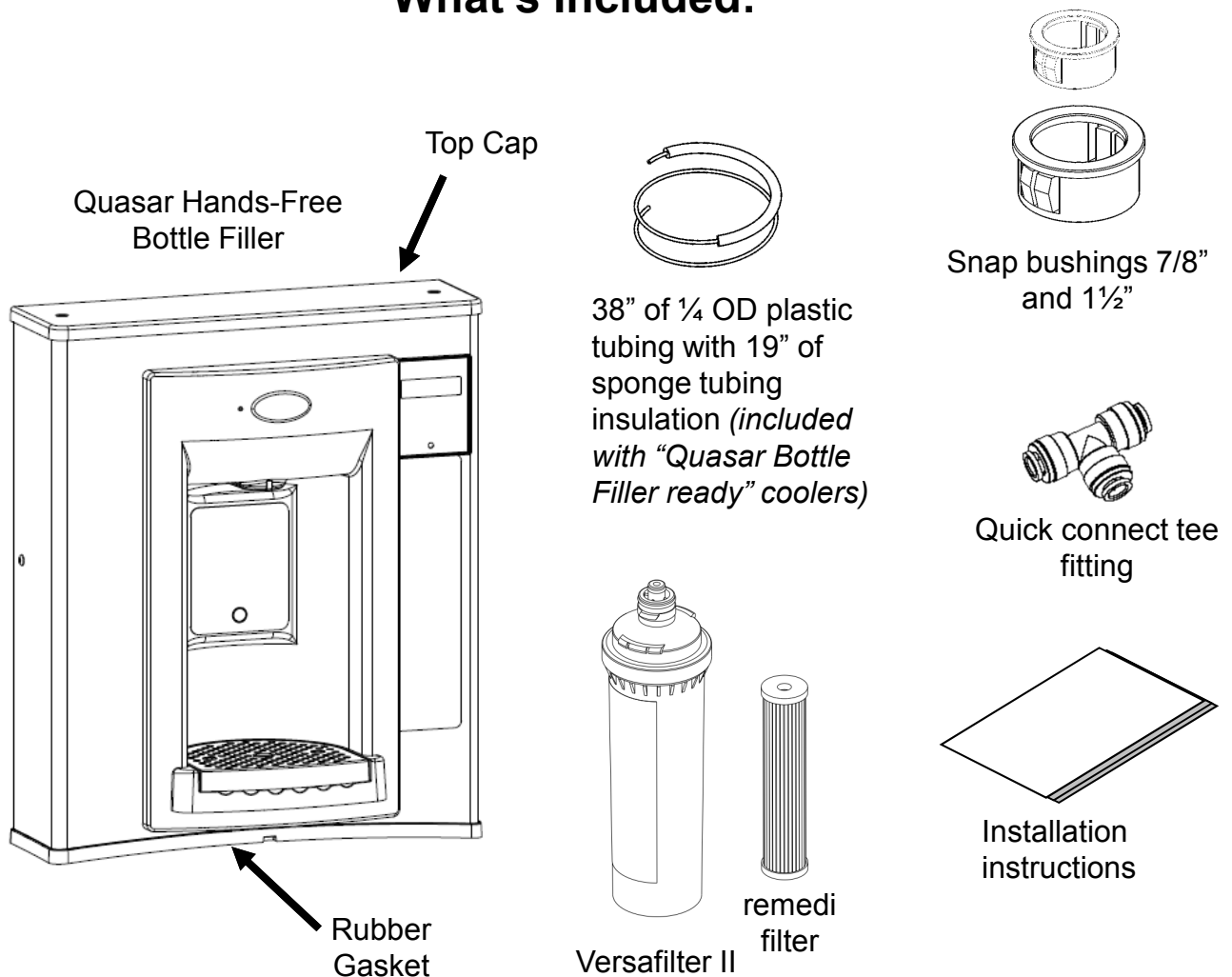
On the combo units, the cooler is plumbed and ready to attach to the Bottle Filler.

**When completed, the finished assembly will look like this:**



## Section 1: Getting Started

### What's Included:



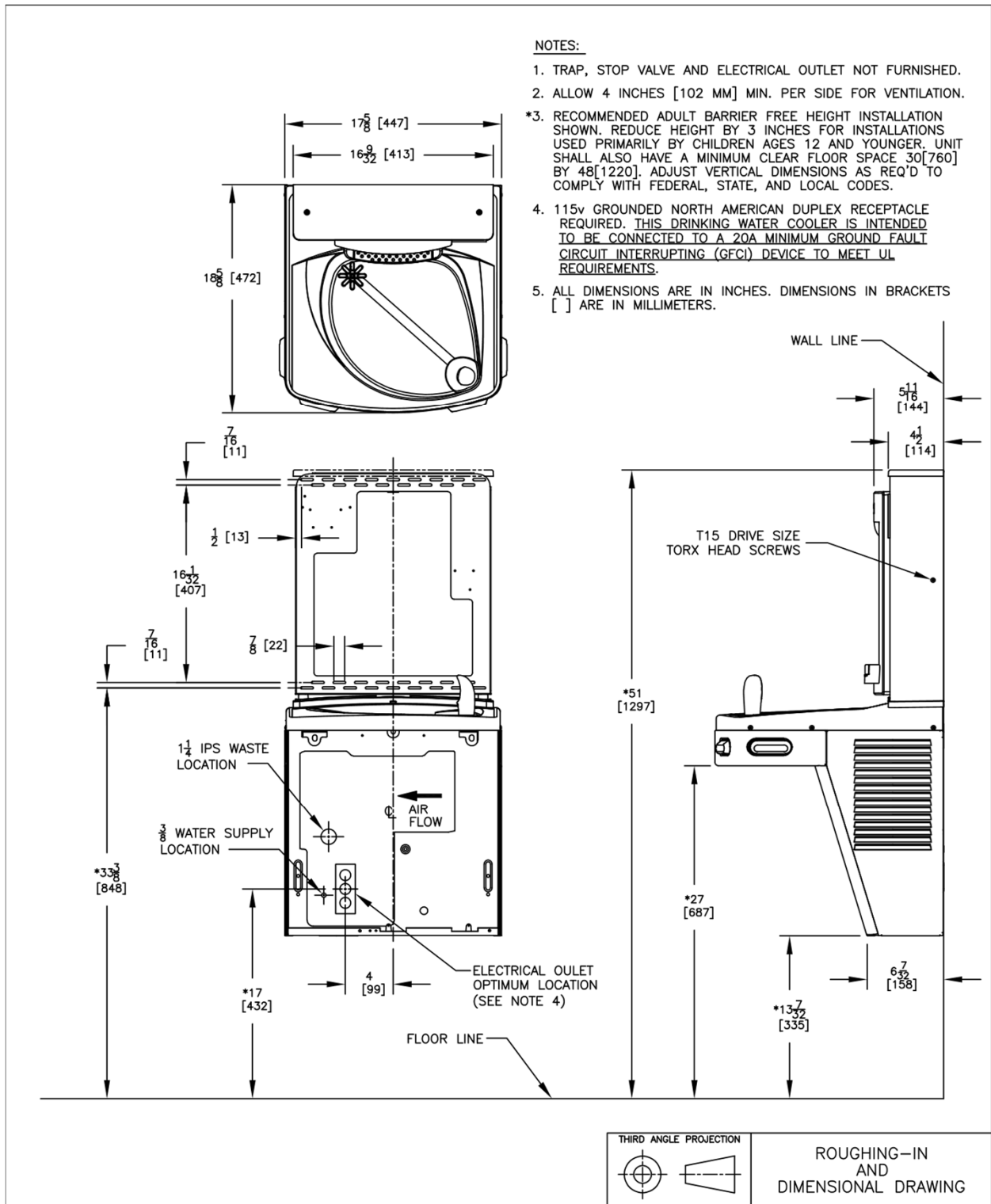
The Versafilter II and remedi filter are only included in the PWF2EBQ model.

### Tools required:

- 3/8" pilot drill and either a step drill bit up to 7/8" diameter that will drill through SS top or 7/8" diameter punch die (retrofit version only)
- Electric drill; wrench for punch die
- Small tubing cutter for copper tube
- 1/4" nut driver
- # 2 Phillips screw driver
- #15 torx bit driver

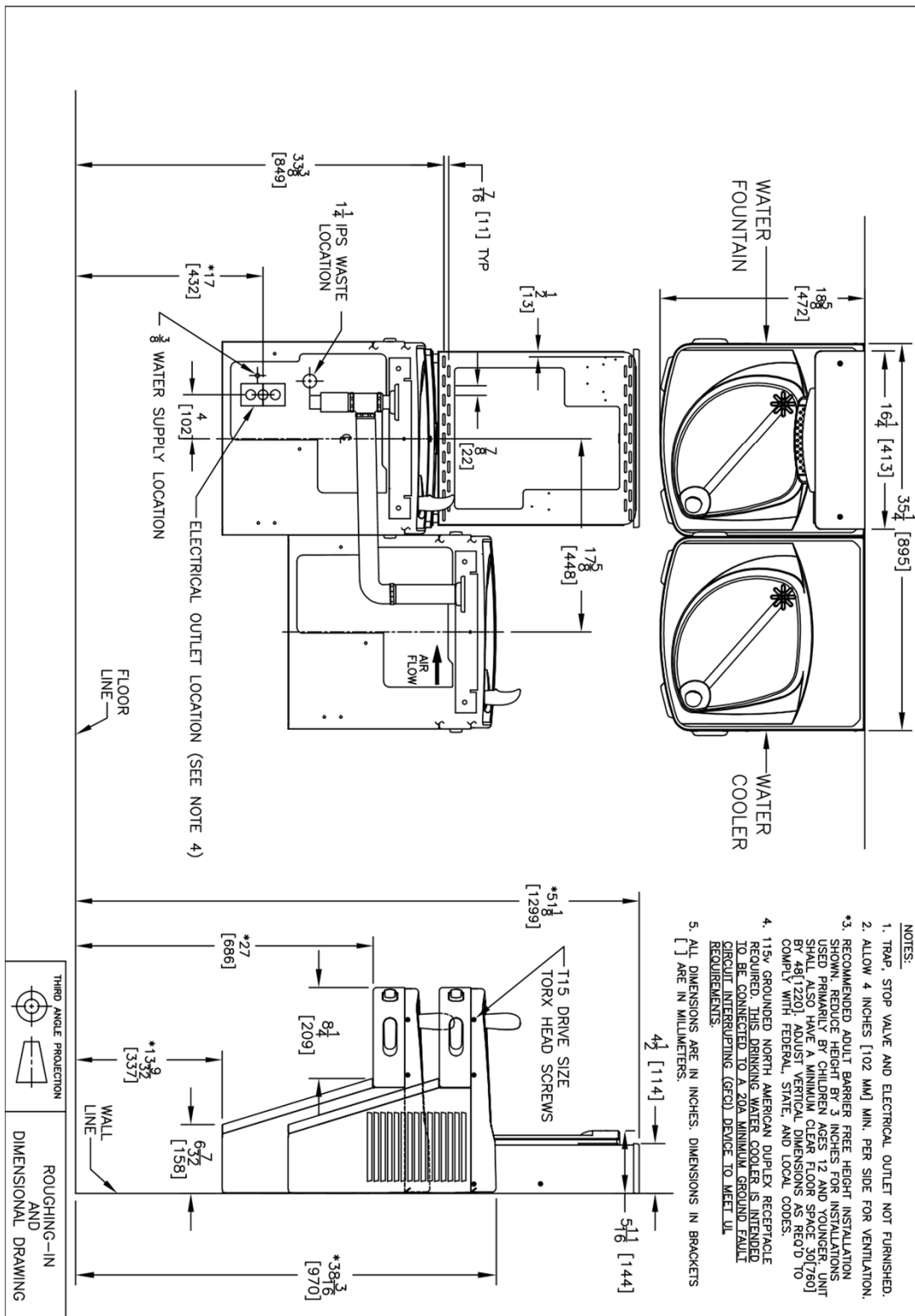
# Section 2: Rough In Drawing

## Oasis PWEBQ: Versacooler® II Models PGAC, PG8AC with Hands-Free Bottle Filler



# Section 2: Rough In Drawing

## Oasis PWEBQ: Versacooler® II Split Level Models with Hands-Free Bottle Filler



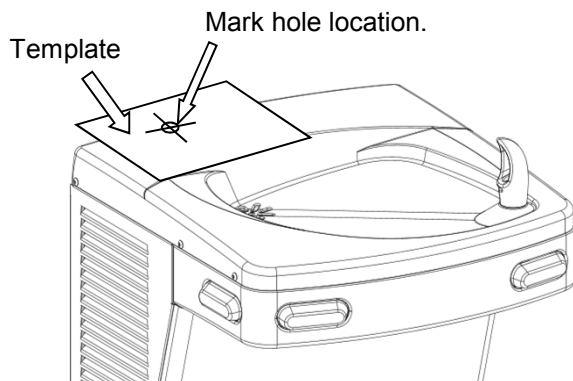
\* On split level models, the Bottle Filler must be mounted on the low unit in order to meet ADA guidelines.

## Section 3A: Installation

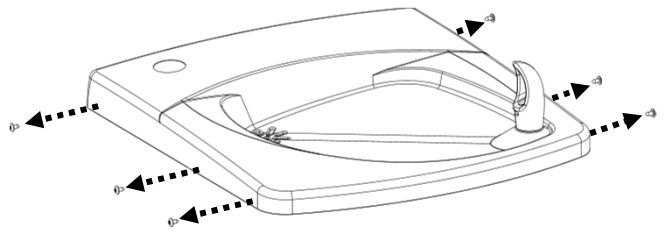
**Note: Proceed to Section 3B Step 5 “Final steps for both product families” if the cooler is purchased “Quasar Bottle Filler or VersaFiller ready”.**

### **A: Drilling hole in the top for water line connection.**

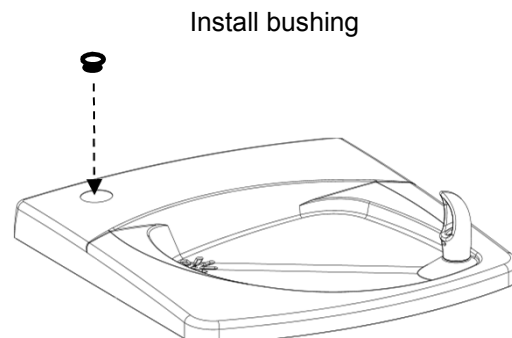
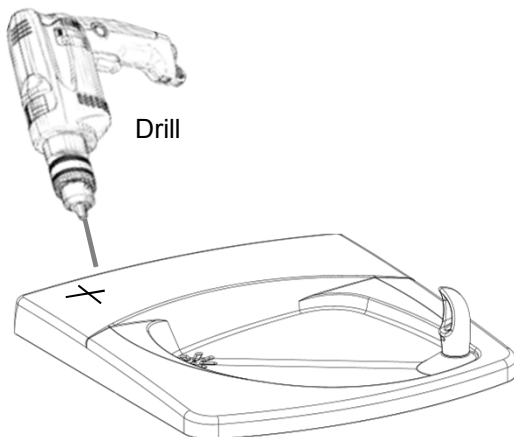
1. Disconnect power by UNPLUGGING unit. It might be necessary to remove the front panel to get access to the power.
2. Turn OFF water supply to the unit. It might be necessary to remove the front panel to access the water stop valve.
3. Place hole template onto cooler top so it is aligned with the left side of unit and wall. SEE NEXT PAGE FOR TEMPLATE
4. Mark hole location
5. Remove top from unit.

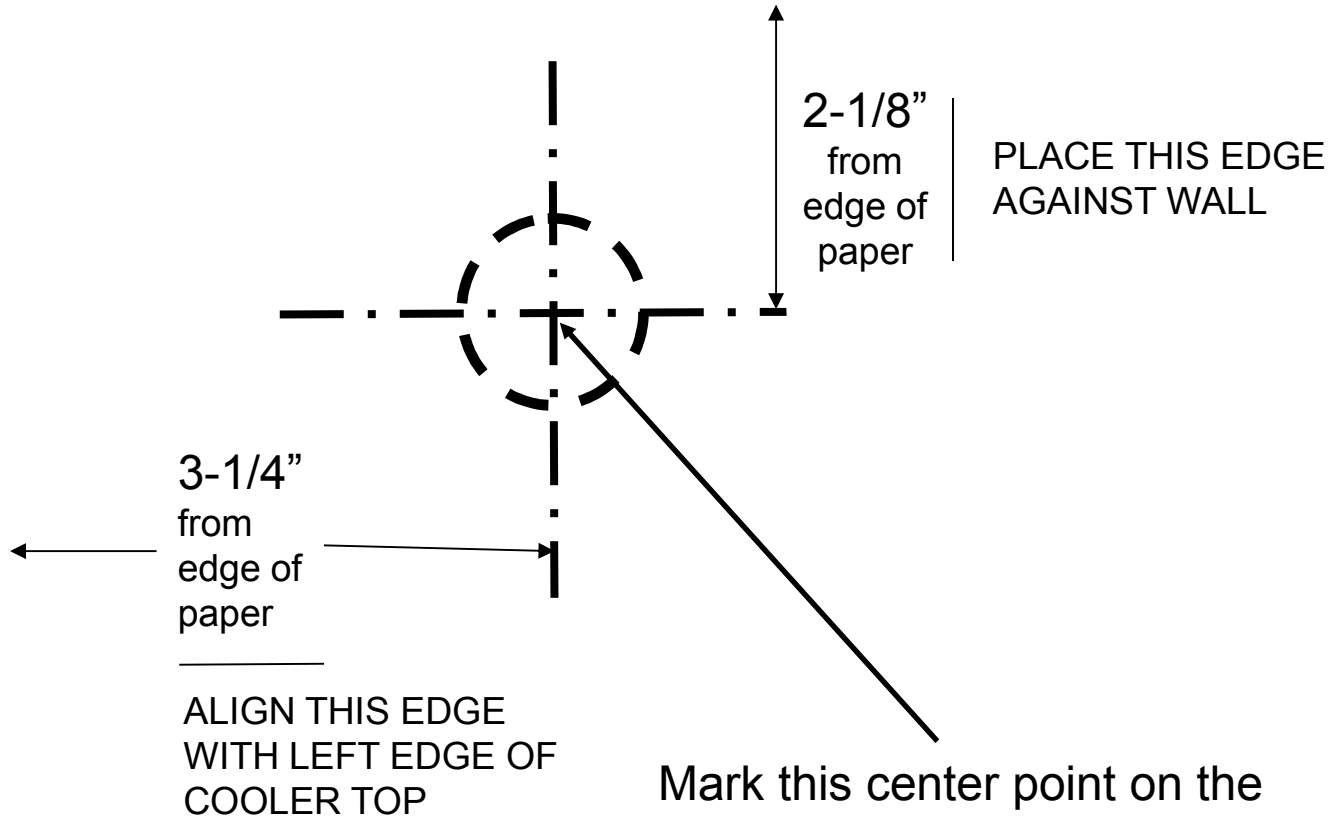


Remove top from cooler by removing six, #15 torx head screws on sides of top.



6. Using a step drill bit or 7/8" punch die, make a 7/8" hole through top. You may want to drill a pilot hole to get these started.
7. Install snap bushing into hole to protect tubing from being cut.



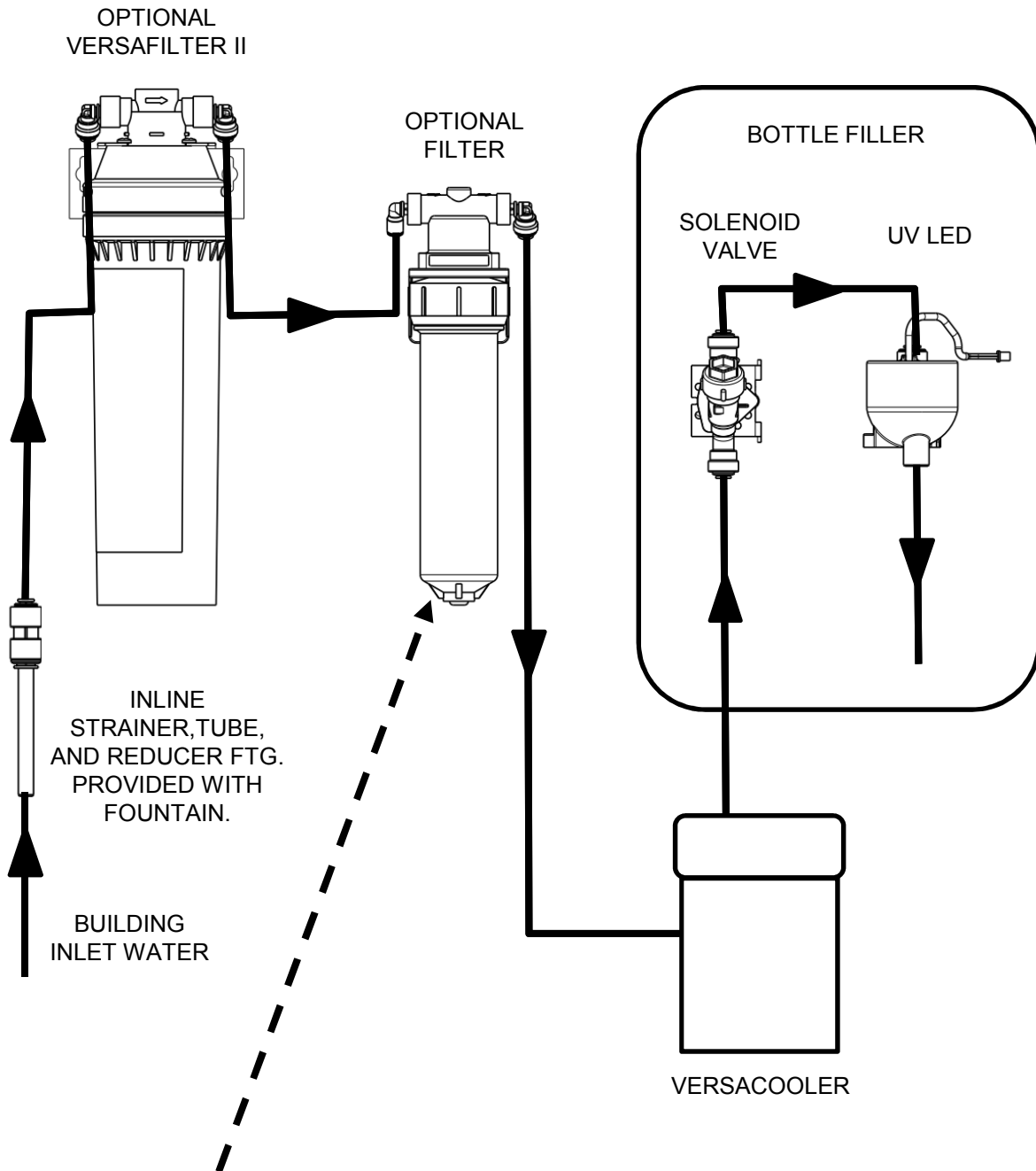


Mark this center point on the top. Remove the top from the cooler. Then create a 7/8" diameter hole through the top at the marked center point (step drill bit or punch die).

USE THIS TEMPLATE TO MARK THE  
HOLE LOCATION ON COOLER TOP

## Section 3B: Installation

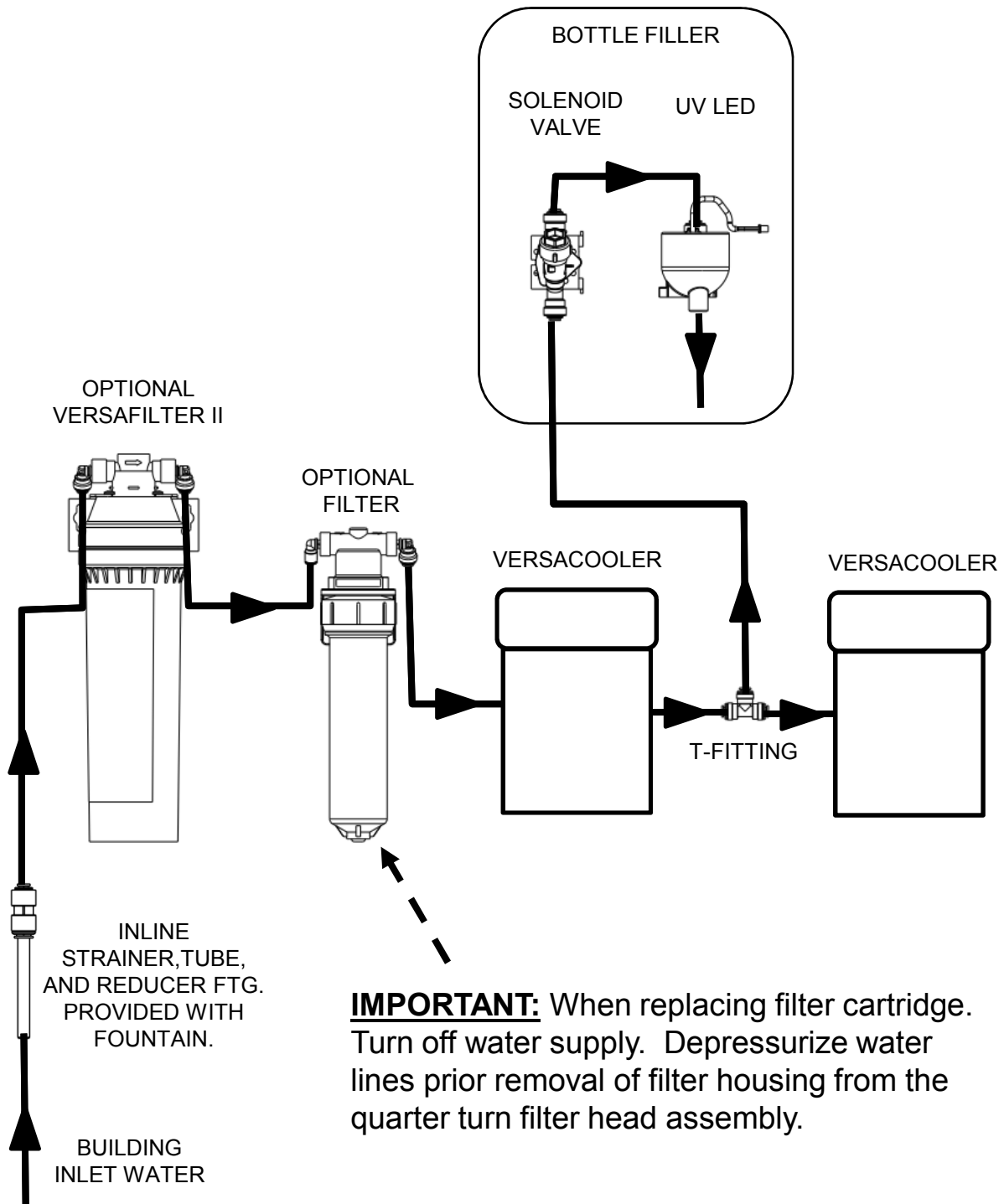
### VersaCooler to Quasar Bottle Filler Plumbing Diagram



**IMPORTANT:** When replacing filter cartridge. Turn off water supply. Depressurize water lines prior removal of filter housing from the quarter turn filter head assembly.

## Section 3B: Installation

Two VersaCoolers to Quasar Bottle Filler Plumbing Diagram





## Section 3B: Installation

### B: Connecting the water line

**Note: If you are retrofitting the Bottle Filler to an existing cooler, follow the instructions starting on page 11.**

For the single “Bottle Filler ready” cooler, the tube to connect to the Bottle Filler is found inside the access panel (the compressor compartment). This tube supplies cold water from the cooling tank to the Bottle Filler.

1/4" OD tube to connect  
to Versafiller



For split level “Bottle Filler ready” coolers, the tube to plumb in the Bottle Filler is packaged in the dummy unit.

Remove tube from bag.



First, remove plug from  
fitting on tank drain



Next, insert end of  
tube into fitting.



The tee and tube to the Bottle Filler are packaged with the PWEBQ unit. One branch of the tee will supply the valve on the dummy unit, the other branch of the tee will connect to the Bottle Filler.

If a filter is being installed, cut a piece of tubing about 3" long to insert optional flow switch right after filter and before tee. This allows Bottle Filler counter to accurately calculate amount of water passing through filter.

Tube to connect valve  
on dummy unit



Tube to connect  
Bottle Filler



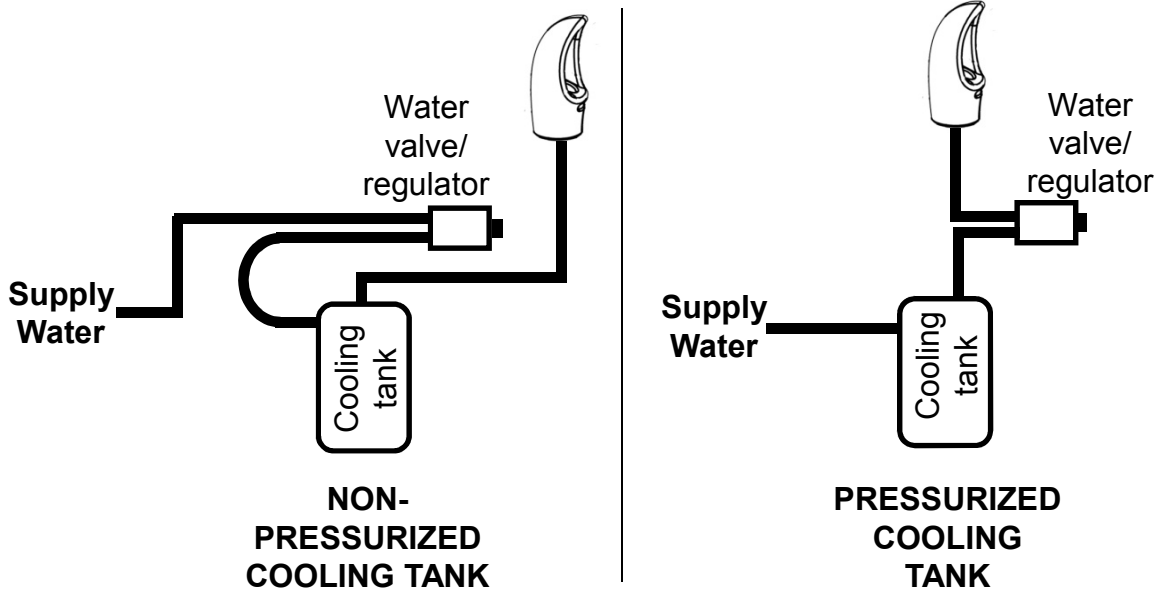
Tube to connect chilled  
water to dummy unit  
and Bottle Filler



Go to Step 5 "Final steps for both product families:"

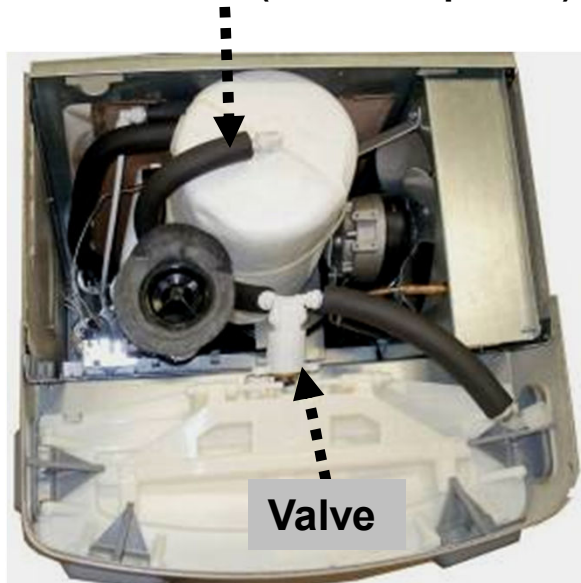
To retrofit the Versafiller to an existing unit, follow the instructions below:

If the cooling tank is non-pressurized, then go to the “Pressurizing the cooling tank” addendum section. Otherwise, proceed to step 1 below. Non-pressurized units are single units made since December of 2009. Refer to the schematic below to identify the system that you have.



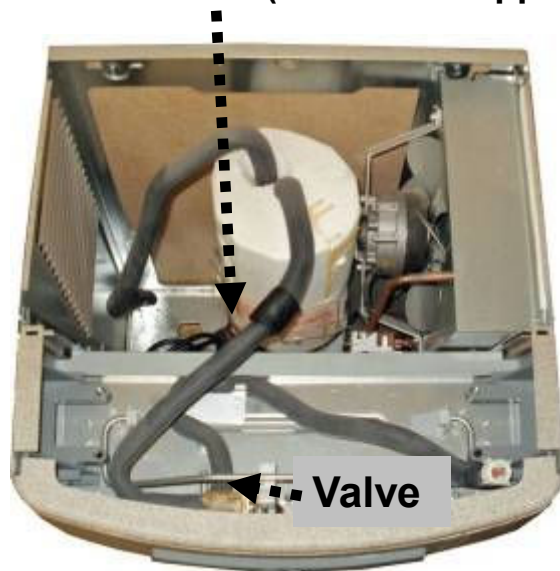
1. With the cooler top removed, find the tube going from the cooling tank outlet to the valve. The TEE fitting (supplied) will need to connect between the cooling tank and valve.

**Outlet Tube (insulated plastic)**



**P8AC family**

**Outlet Tube (insulated copper)**



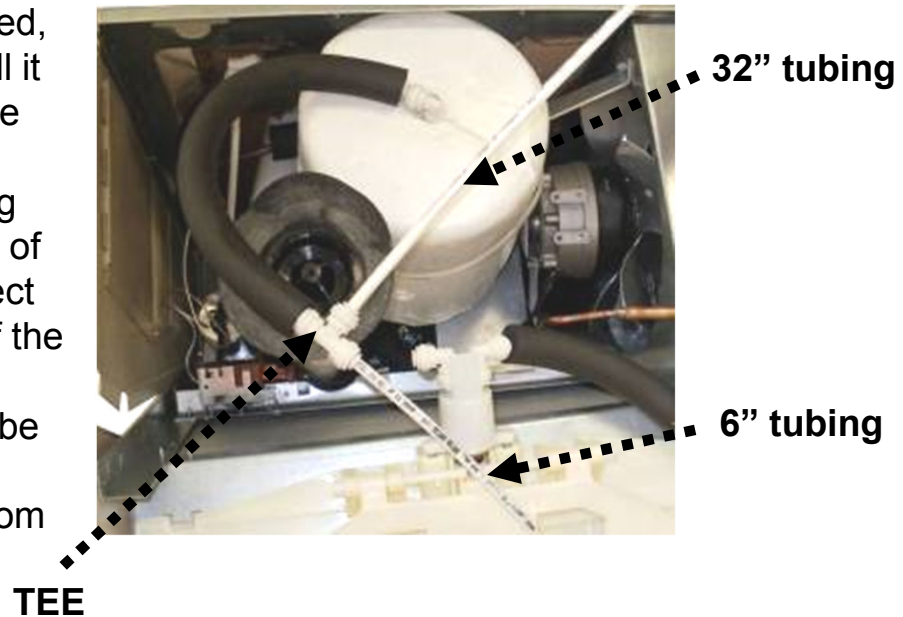
**P8AM family**

## Section 3B: Installation: For the P8AC Version: Versacooler II

2. Disconnect tubing from the elbow on the valve.



3. Using the 38" piece of tubing provided, cut 6" and install it on the end of the TEE. Install the remaining tubing onto the branch of the TEE. Connect the other end of the TEE to the tank outlet tubing (tube that was disconnected from the elbow).



4. Route the TEE and tubing under the waste drain and connect the 6" length to the water valve elbow.



Go to Step 5 "Final steps for both product families:"

## Section 3B: Installation: For the P8AM Version: Versacooler I

2. Remove tar tape from the insulation on the outlet tube.



3. Pull back insulation and cut the copper tube with a tubing cutter. Cut where there is at least 1 inch of *straight* tubing on each side of the cut.



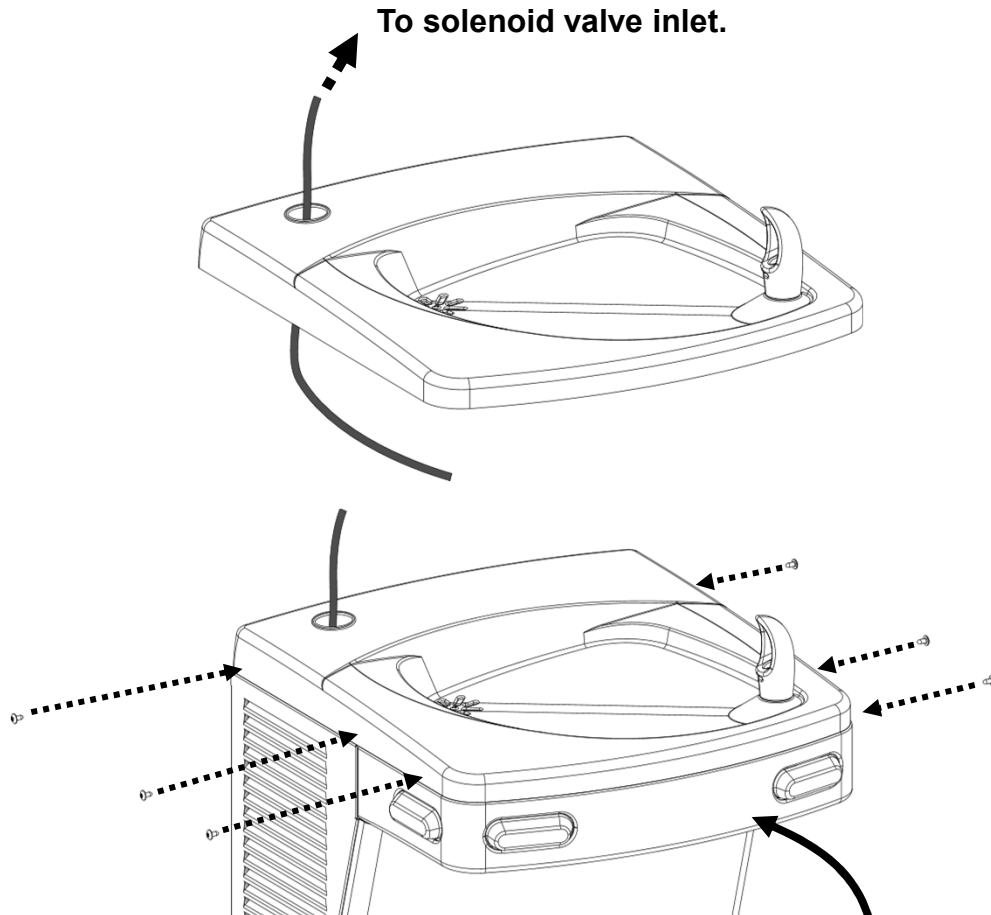
4. Install TEE fitting by connecting the copper tubing to each end. Then install the 32" piece of plastic tubing to the TEE branch.



32" plastic tubing (supplied)

## Section 3B: Installation: **Final steps for both product families:**

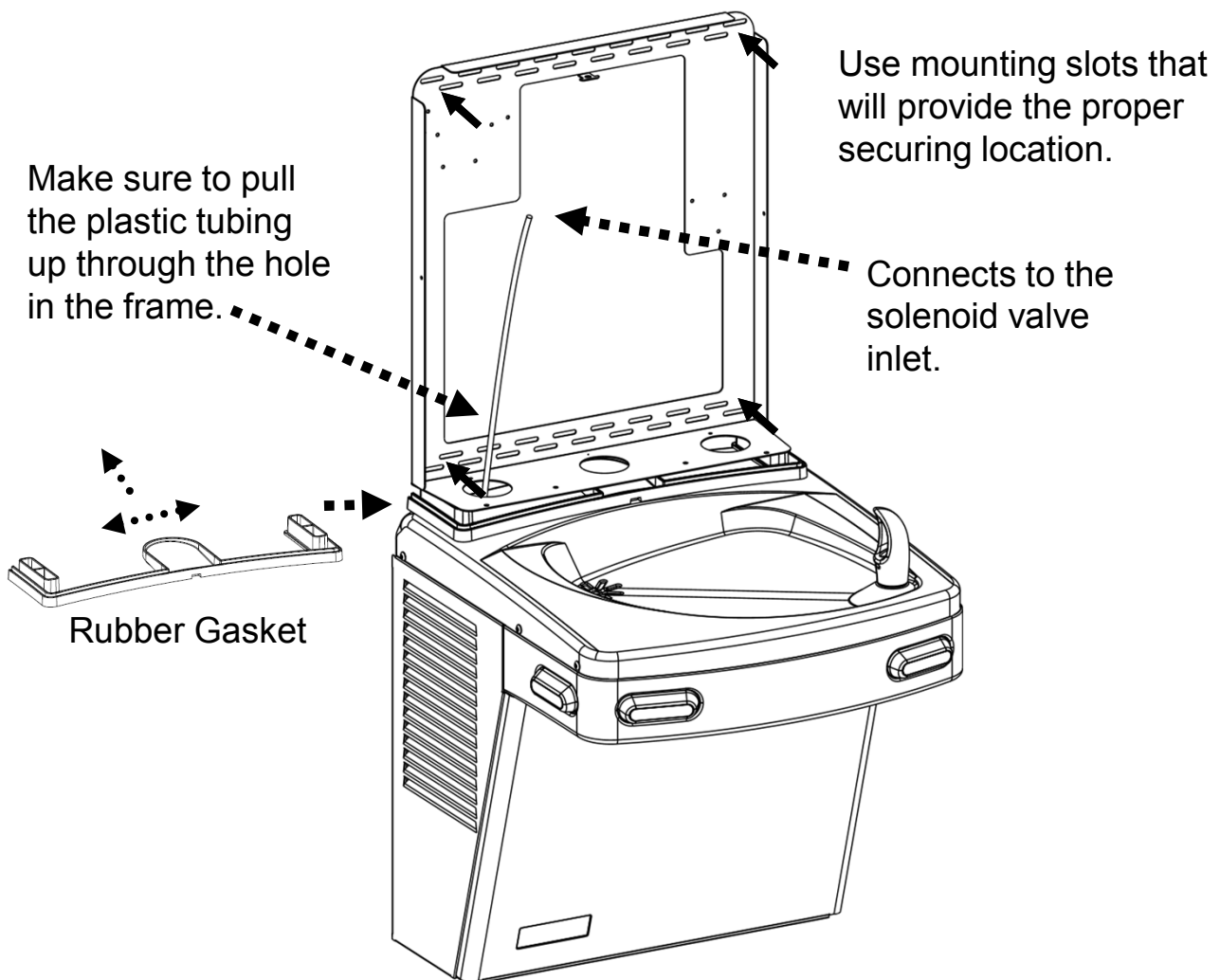
5. Feed tube up through the top and attach the top to the cooler.



**TIP:** For the P8AM, it is easier to connect the outlet tube to the bubbler if the front nose is removed.

### C: Mounting the frame to the wall

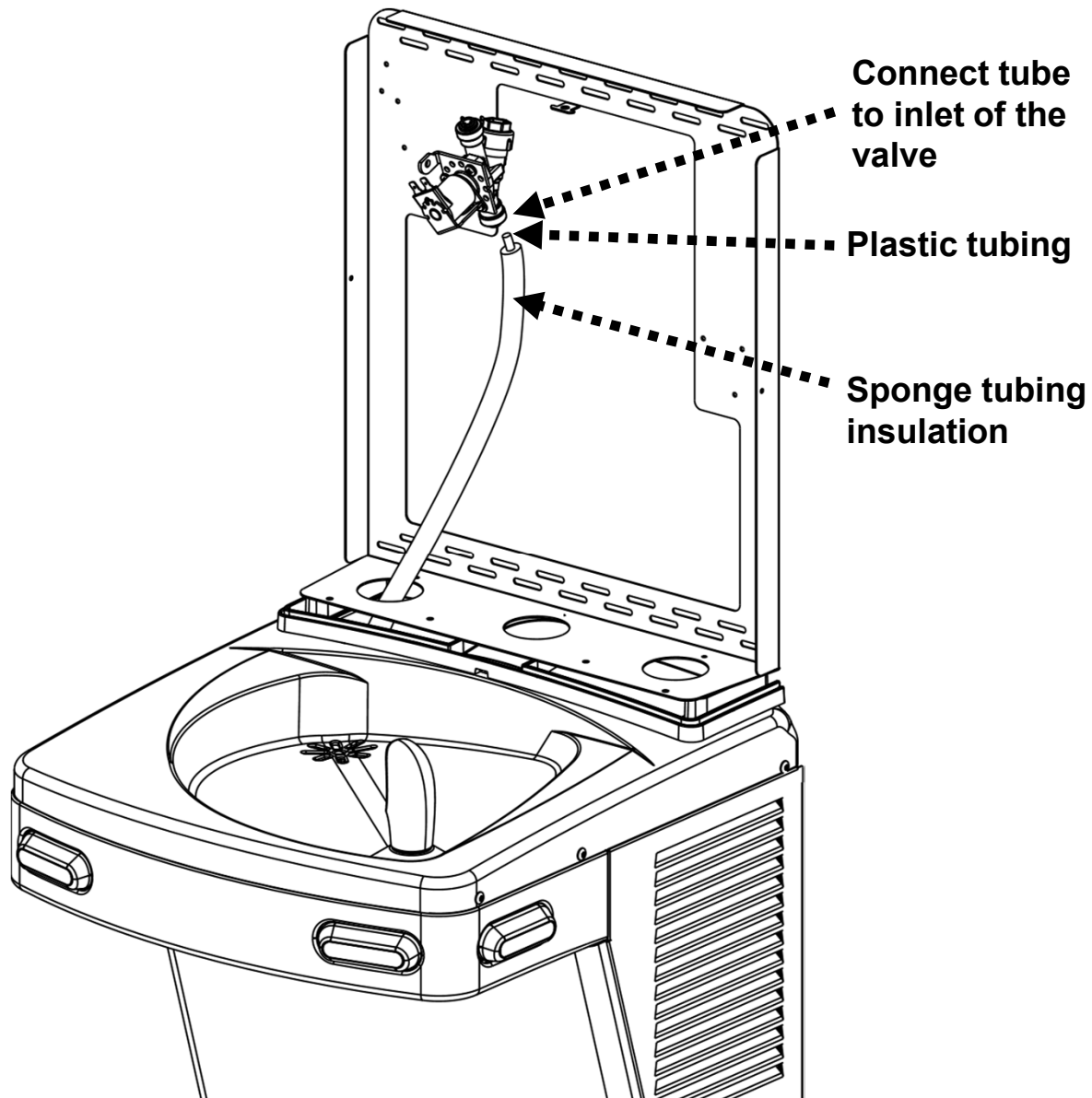
1. Place rubber gasket on top of the cooler so it is centered left/right and against the wall.
2. Set the wall frame onto the gasket. Center it left/right and push it against the wall and mark hole locations for wall fasteners. The gasket will set the frame at the proper height.



3. Secure frame to the wall with fasteners (not provided). Pull plastic tubing up through the hole in the frame.

## Section 3C: Installation

- Slide sponge tubing insulation over water line. Connect the tubing to the INLET of the solenoid on the back of the Hands-free Bottle Filler assembly.

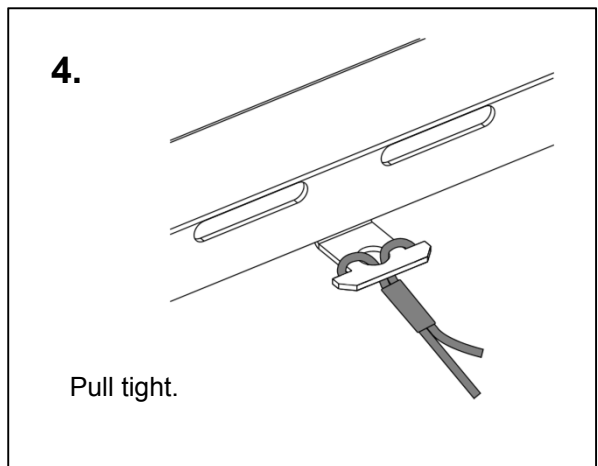
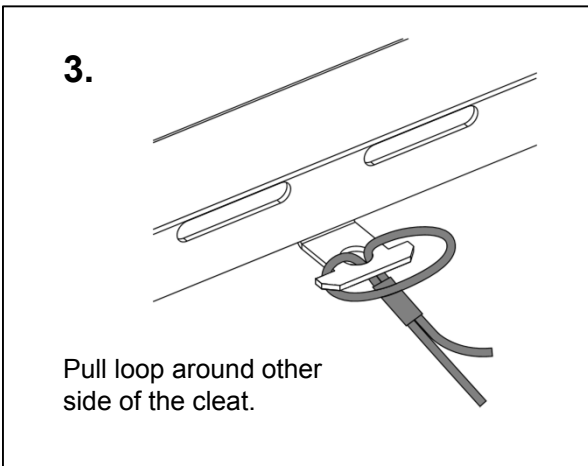
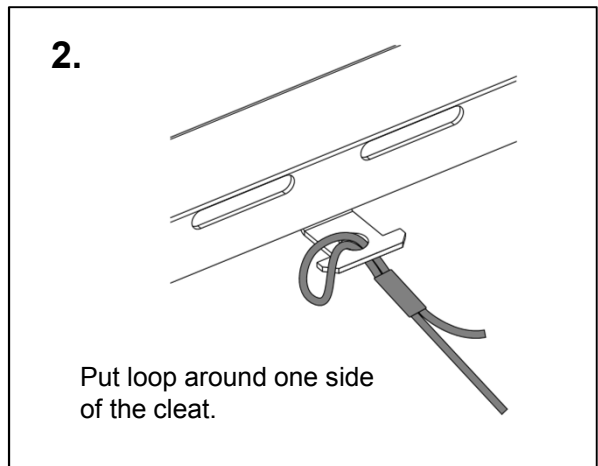
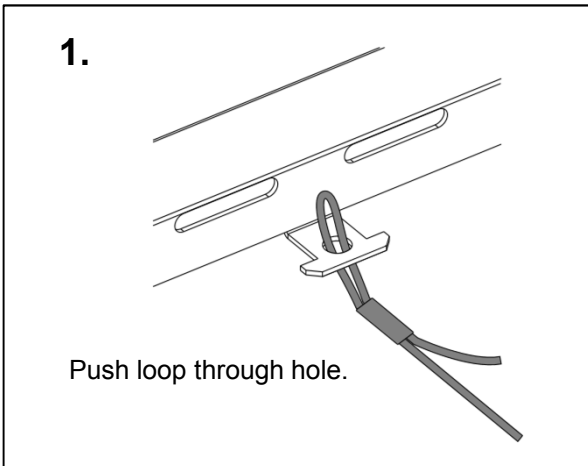
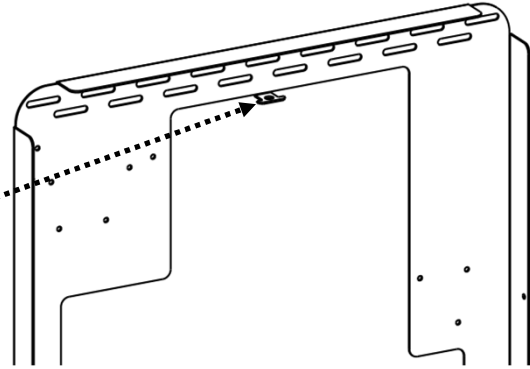




**D: Attaching the Tether**

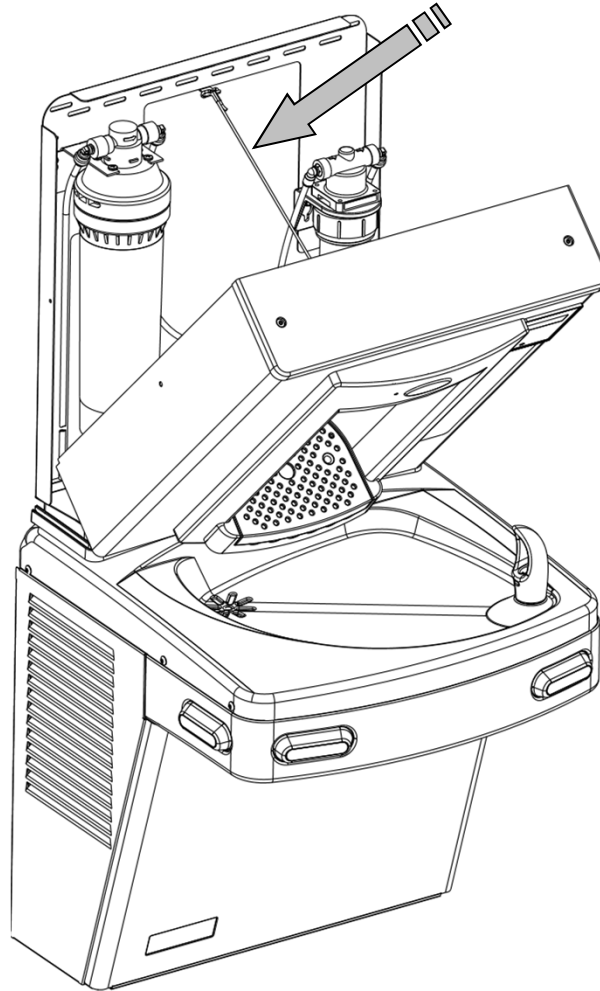
5. Install bottle filler tether with the steps below.

Attach the tether line assembled to the bottle filler dispense bracket to the cleat on the mounting frame.



## Section 3: Installation

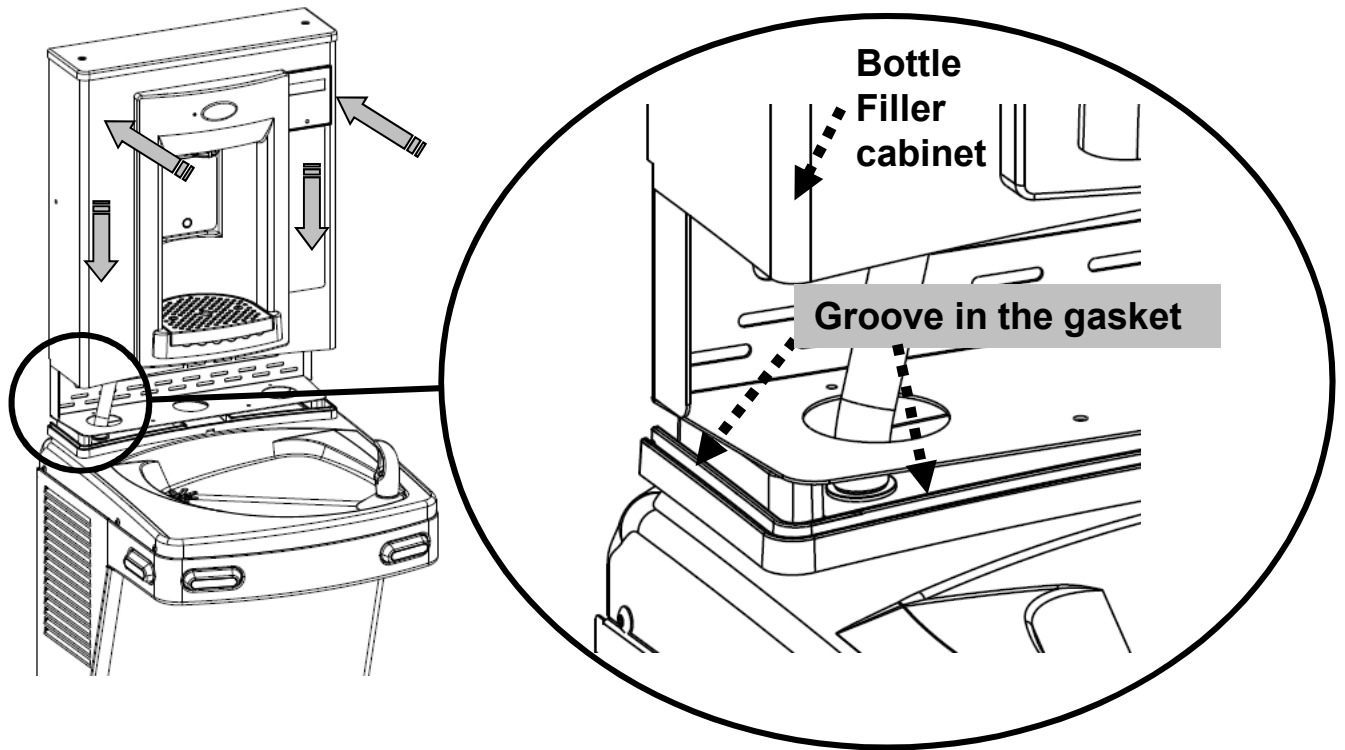
The tether keeps the bottle filler secured to the frame when changing the filter, if installed. Make sure the tether is installed properly to avoid accidental damage to the unit.



6. Before the Bottle Filler cabinet is set into place, feed the terminals on the power supply power cord and the long green ground wire through the bushing on the cooler top.
7. Connect male terminals on the bottle filler power supply to female terminals on power cord. Make sure that the power cord is firmly connected to the power supply.
8. Attach the long green ground wire to cooler power cord ground located on cooler frame or to electrical box ground.

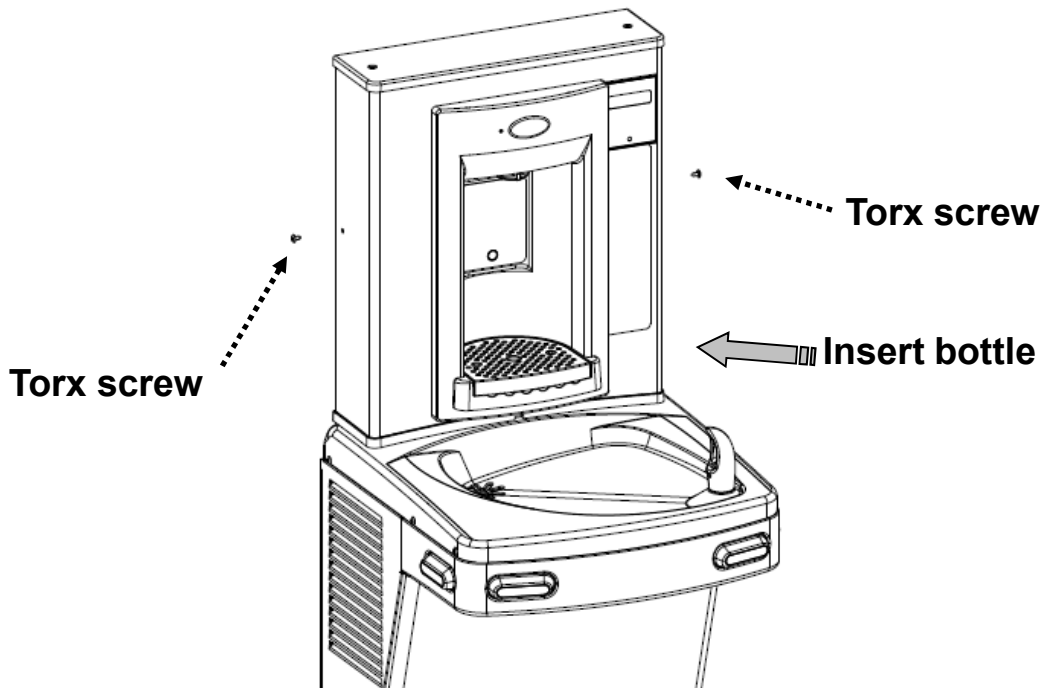
## Section 3: Installation

9. MAKE SURE the cabinet fits into the groove in the rubber gasket on both sides and front of the wrapper.



See next page to secure Bottle Filler assembly to frame with torx screws.

## Section 3D: Installation



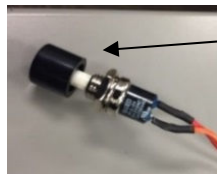
10. Attach Bottle Filler assembly to the frame using two (2) torx screws. Remove the Top Cap and two (2) torx screws used for mounting.
11. Plug bottle filler cord into the electrical outlet. The bottle filler will auto-calibrate and be set up specifically for that installation. Refer to the program guide on next page for further programming. Access programing Pushbutton through top of Bottle Filler.
12. Turn ON water supply and check for leaks. Place a container in the alcove to release any trapped air from the system.
13. If everything works correctly, place the Top Cap back on the Bottle Filler and the two (2) torx screws to fasten it in place. Otherwise, calibrate the sensor per the instructions on the next page.

**INSTALLATION COMPLETE**

## Section 4: Set-up guide for bottle filler electronics

### Factory default program settings are:

- Units - Gallons
- Unfiltered unit
- Flow Meter = Rate Selected
- Filter Capacity = 1250 gallons [4731 liters] for a VersaFilter
- Bottle Count = 0.5L (1 Bottle)
- Flow Rate = 1.2 GPM
- 20 second maximum dispense time

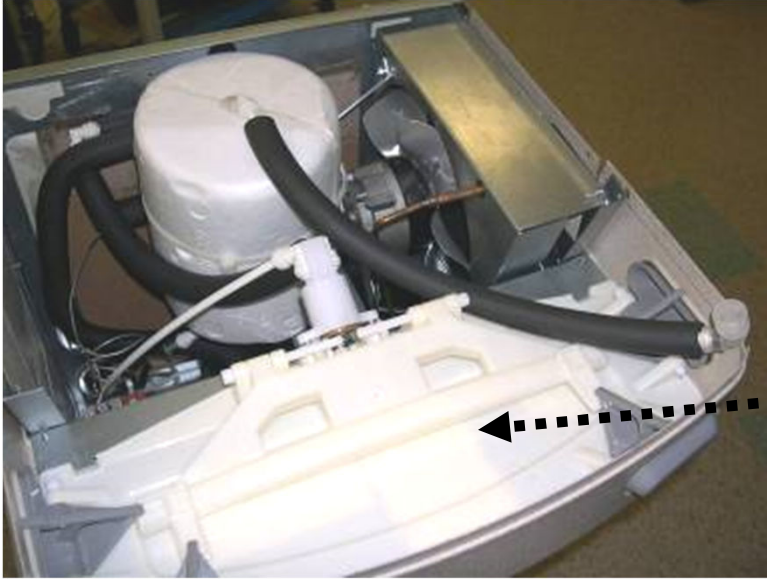


Pushbutton

### To change the program settings, follow these steps:

<u>Display</u>	<u>Action</u>
00000000 BOTTLES REUSED (Home Screen)	Depress button for 3 seconds to enter into the following menu settings and make changes. Note: at anytime it will exit menu and save settings when idle for 10 seconds (no button press) and revert back to Home Screen.
LTR/GAL GAL	Depress button 3 seconds to change from Gallons to Liters, or momentary press to advance to next menu.
UNFILT/FILT? UNFILT UNIT	Depress button 3 seconds to change from Unfiltered to Filtered unit, or momentary press to advance to next menu.
FLOW METER? RATE SELECTED	Depress button 3 seconds to change from Rate Selected to (Flow) Meter Enabled, or momentary press to advance to next menu. Not included on all models.
SELECT RATE 1.2 GPM UNIT	To change flow rate, momentarily depress button to change whole gallon digit. Hold button 3 seconds to advance to TENTHS of gallon digit. Depress momentarily to change the digit. Hold button 3 seconds to advance to the next menu.
RESET 00000000 GALLON CNT [LTR COUNT]	Depress button for 3 seconds to reset Gallon or Liter count, or momentary press to advance to next menu.
FILT CAPAC OF 1250 GAL [4731 LTR]	Depress button for 3 seconds to change filter capacity to 3000 GAL [11355 liters] for Versafilter II or Galaxi green filter. Or momentary press to advance to next menu.
3 sec rule? 0.5L	Depress button for 3 seconds to switch from 0.5L bottle to 3 sec rule, or momentary press to advance to next menu. (The 3 Sec rule increases the bottle count based on a 3 second dispense.)
Reset 00000000 BOT COUNT?	Depress button for 3 seconds to reset (Home Screen) BOTTLES REUSED count, or momentary press to advance to next menu.
Bot Filler Set_time: 20 s	Depress button for 3 seconds to change maximum dispense time to 10, 20 or 30 seconds, or momentary press to advance to next menu.
RUN CAL AGAIN?	Depress button 3 seconds to run calibration again, or momentary press to advance to next menu.

## Addendum Section: Pressurizing Cooling Tank



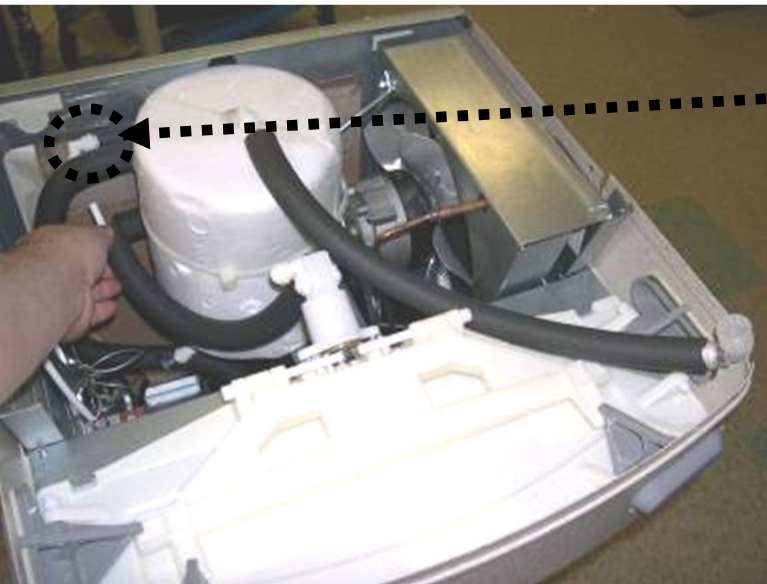
**The water should already be turned OFF and the power disconnected.**

Unit as it appears with top removed



### **STEP 1**

Unplug un-insulated water line from water valve inlet (quick-connect elbow located left side of water valve facing the front of the cooler). Set tubing aside (careful to not contaminate water contact end).



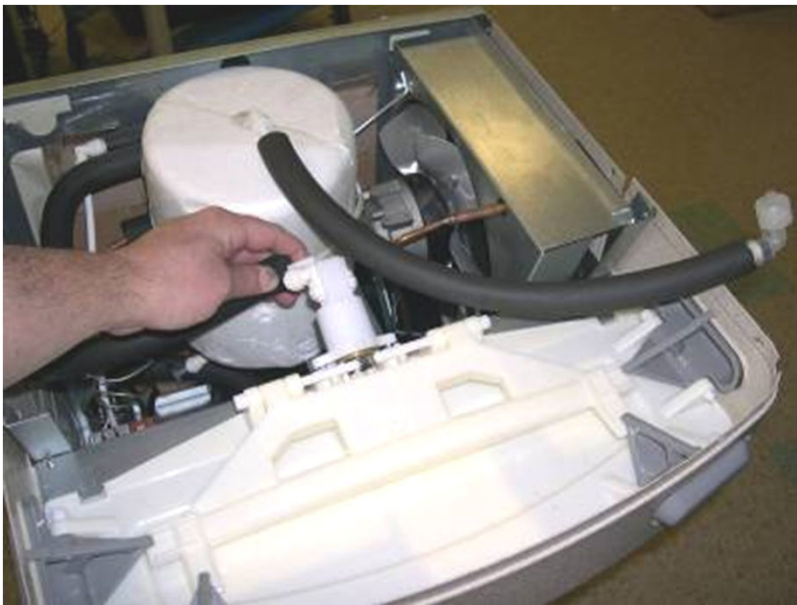
### **STEP 2**

Unplug tubing from quick-connect elbow leading to cooling tank inlet.



### **STEP 3**

Plug un-insulated tubing that was removed in step 1 into quick-connect elbow leading to the cooling tank from step 2.



### **STEP 4**

Unplug tubing that is connected to the water valve outlet (quick-connect elbow located on the right side of valve facing the cooler).



### **STEP 5**

Connect tubing from step 4 to quick-connect elbow on the left side of the valve.



### Step 6

Unplug quick-connect tubing from the cooling tank outlet. Do not set it down.



### Step 7

Using tubing removed in step 6, plug into quick-connect elbow on the right side of the valve. (be sure to route the tubing under existing tubing installed in step 4 as shown)



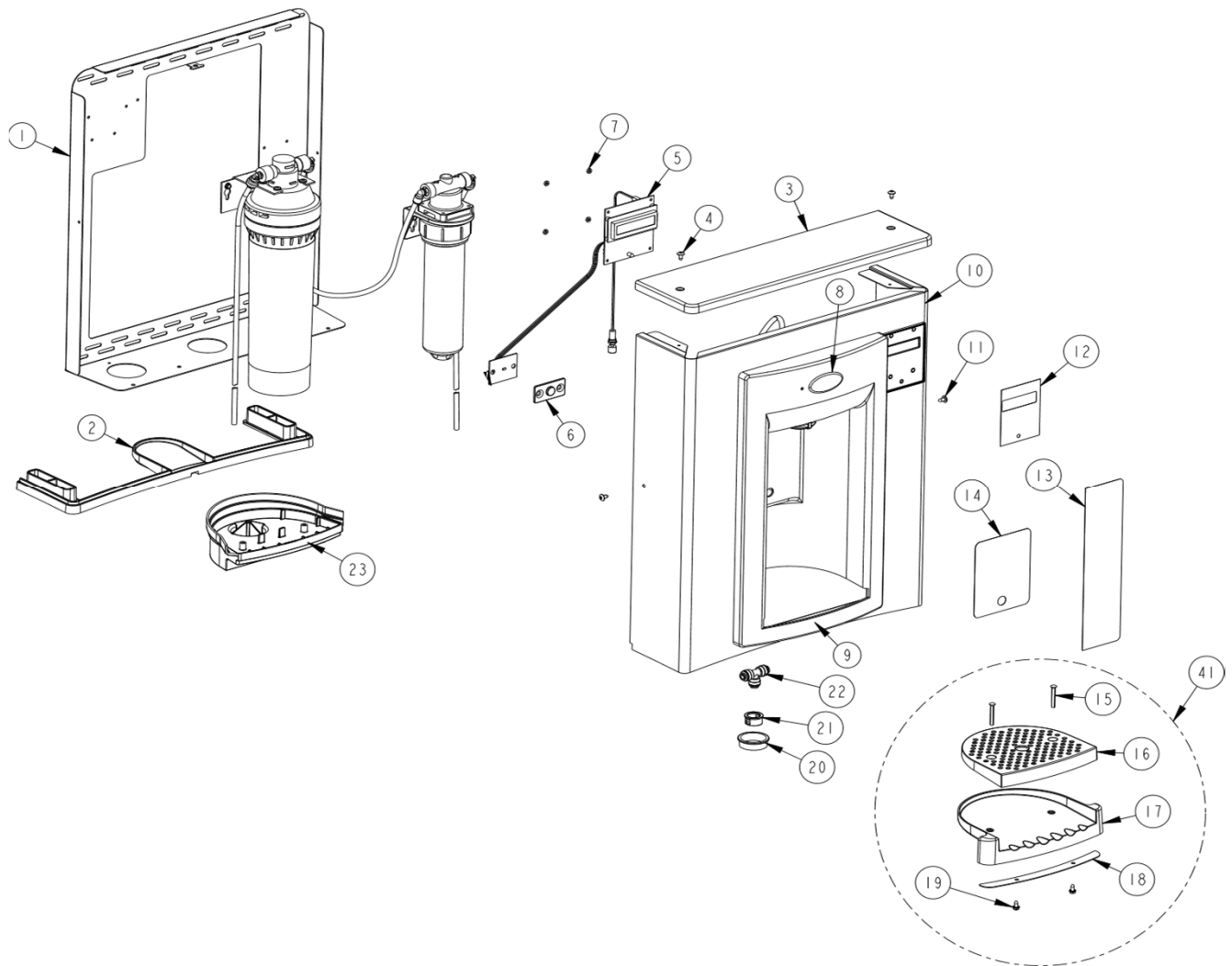
### Step 8

Using tubing that is connected to the quick-connect elbow left side of valve (done in step 4), and plug the other end into the quick-connect fitting at the top of the cooling tank.

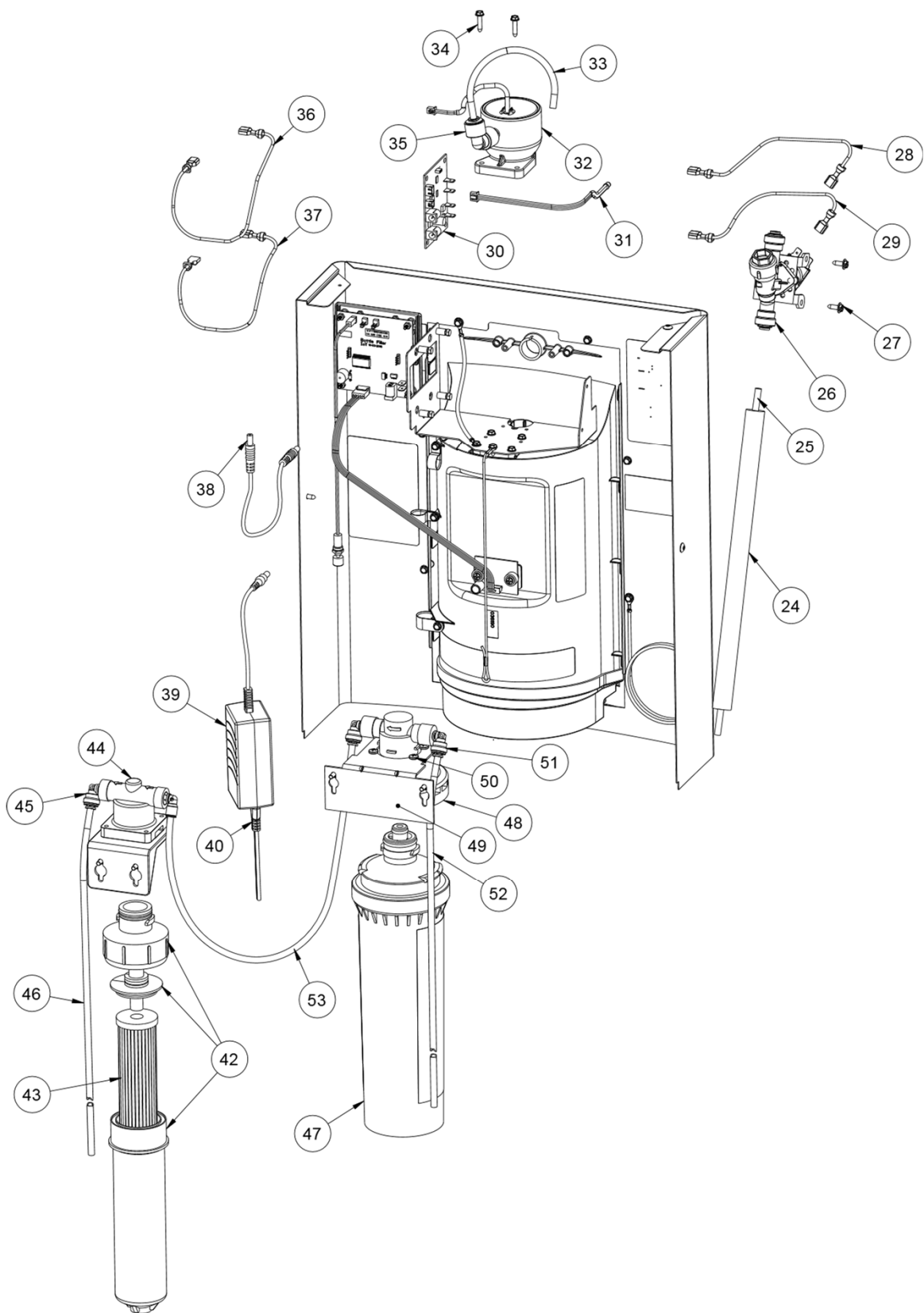
**Return to Section 3 B** 24  
**“Connecting the water line”**



# Section 5: Parts Breakdown



# Section 5: Parts Breakdown



## Section 5: Parts Breakdown continued

ITEM	QTY	P/N	Description	ITEM	QTY	P/N	Description
1	1	036687-003	FRAME, PWFSBF-K12	28	1	017340-483	LEAD WIRE ASSY BLACK 14"
2	1	036689-001	GASKET, PWSBF	29	1	021929-177	LEAD WIRE ASSY RED 14"
3	1	036686-001	CAP, PWSBF	30	1	041051-001	PCB, UV
4	2	031875-003	SCREW, TRUSS HD TAPPING TORX	31	1	041061-001	CABLE ASSY, 3 WIRE UV LED
5	1	038026-002	ELECTRONICS ASSY, IR/LCD	32	1	041050-002	UV LED 9C+VISIBLE POD MODULE
6	1	038027-001	LENS, IR BOTTLE FILLER	33	1	030152-009	TUBE, PE WHITE 7.5"
7	4	026824-026	NUT, HEX NYLON	34	2	026642-016	SCREW, HEX HD TAPPING
8	1	031434-014	NAMEPLATE, OASIS	35	1	029962-103	FTG, PP REDUCING ELBOW
9	1	036190-005	ALCOVE, EBF UV LED	36	1	017340-483	LEAD WIRE ASSY BLACK 14"
10	1	036691-007	WRAPPER, PWEBF STN2	37	1	021929-177	LEAD WIRE ASSY RED 14"
11	2	031875-003	SCREW, TRUSS HD TAPPING TORX	38	1	041052-001	POWER ADPTR CABLE, 18GA DC
12	1	038031-005	LABEL, LCD BEZEL	39	1	038036-003	POWER SUPPLY, 100-240VAC/12VDC
13	1	038031-011	LABEL, PANEL QUASAR	40	1	038168-001	CORD ASSY, DC POWER SUPPLY
14	1	038031-006	LABEL, ALCOVE SENSOR	41	1	036701-001	DRIP TRAY ASSEMBLY
15	2	036049-002	SCREW, OVAL HD PLASTITE	42	1	037059-001	FILTER HSNG ASSY, 1/4 TRN, SM
16	1	036695-001	TRAY, GRILLE DRIP	43	1	037406-101	FILTER, REMEDI PAC
17	1	036688-001	TRAY, DRIP PWSBF	44	1	040707P001	KIT, FILTER HEAD
18	1	036697-001	CAP, DRIP TRAY BOTTOM	45	1	029994-103	FTG, PP ELBOW, PLUG IN
19	2	026642-023	SCREW, HEX HD TAPPING #8	46	1	030152-158	TUBE, PE WHITE 52.0"
20	1	027189-001	BUSHING, SNAP	47	1	041071-001	FILTER CARTRIDGE, VERSAFILTER II
21	1	027189-008	BUSHING, SNAP	48	1	041072-001	FILTER HEAD, VERSAFILTER II
22	1	029199-103	FTG, PP UNION TEE WHITE	49	1	041073-001	BRKT, VERSAFILTER II
23	1	036191-002	DRAIN, MSBF, SHORT	50	4	026630-022	SCREW, PAN HD TAPPING
24	1	017681-008-SP	INSULATION, SPONGE TUBE 19"	51	2	029994-103	FTG, PP ELBOW, PLUG IN
25	1	030152-046-SP	TUBE, PE WHITE 38"	52	1	030152-046-SP	TUBE, PE WHITE 38.0"
26	2	038030-002	SOLENOID VALVE 12VDC	53	1	030152-157	TUBE, PE WHITE 21.0"
27	1	026642-023	SCREW, HEX HD TAPPING				

### **Accessories:**

**Vandal resistant screw kit:** P/N 036704-001, includes torx bits and replacement screws.

**Gasket, Sunroc/Haws :** P/N 036689-101: (replaces item 2) [KIT P/N 036752-001](#)

**Gasket Adapter, Elkay/Halsey Taylor** P/N 041114-001

P/N 030099-601, REV. A Date: 04/2020

© 2020 LVD Acquisition, LLC

Oasis and Versacooler are registered trademarks of LVD Acquisition, LLC dba Oasis International.

Haws is a registered trademark of HAWS Corporation.

Elkay and Halsey Taylor are registered trademarks owned or licensed by Elkay Sales Inc. and/or its parent Elkay Manufacturing Company



OASIS INTERNATIONAL

222 East Campus View Blvd.

Columbus, OH 43235

614-861-1350

[www.oasiscoolers.com](http://www.oasiscoolers.com)