



Water Coolers

VERSAFILLER®

Model PWEBF (retro fit) and P*EBF Family of Drinking Fountains/VersaFiller combo

Installation Instructions



The Hands-Free VersaFiller is an extension of the Aqua Pointe® product line that mounts directly above Versacooler® I and II products. If the cooler outlet does not have two useable plugs, an outlet splitter will need to be used.

If installed onto a refrigerated cooler, chilled water can be dispensed through the VersaFiller. Otherwise, room temperature water will be dispensed.

The VersaFiller is shipped partially assembled.

On the combo units, the cooler is plumbed and ready to attach to the VersaFiller.

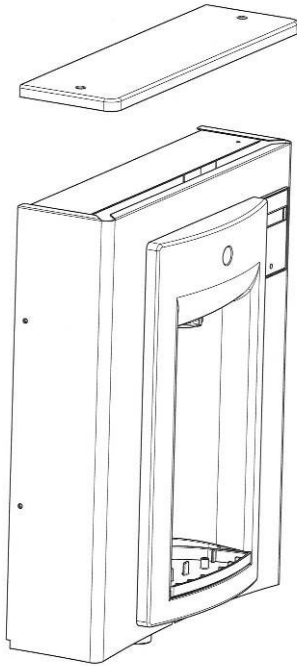
When completed, the finished assembly will look like this:



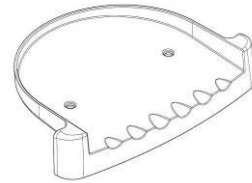
Section 1: Getting Started

What's Included:

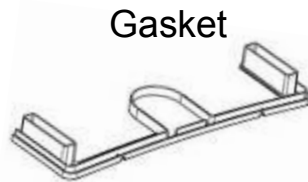
(Top cap)



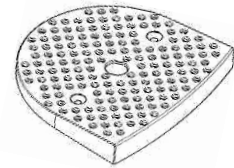
VersaFiller Hands-Free Sports Bottle Filler- (with wrapper, alcove and top cap installed onto the frame)



Drip tray

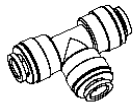


Gasket

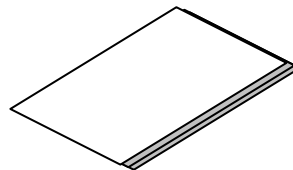


Anti splash grate

Quick connect tee fitting (*only required on split level units*)



38" of 1/4" OD plastic tubing with 19" of sponge tubing insulation (*included with "Versafiller ready" coolers*)



Installation instructions



Anti Splash grate screws (2)



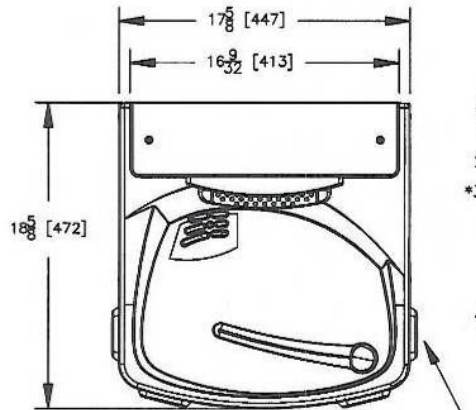
Snap bushing

Tools required:

- 3/8" pilot drill and either a step drill bit up to 7/8" diameter that will drill through SS top or 7/8" diameter punch die (retrofit version only)
- Electric drill; wrench for punch die
- Small tubing cutter for copper tube
- 1/4" nut driver
- # 2 Phillips screw driver
- #15 torx bit driver

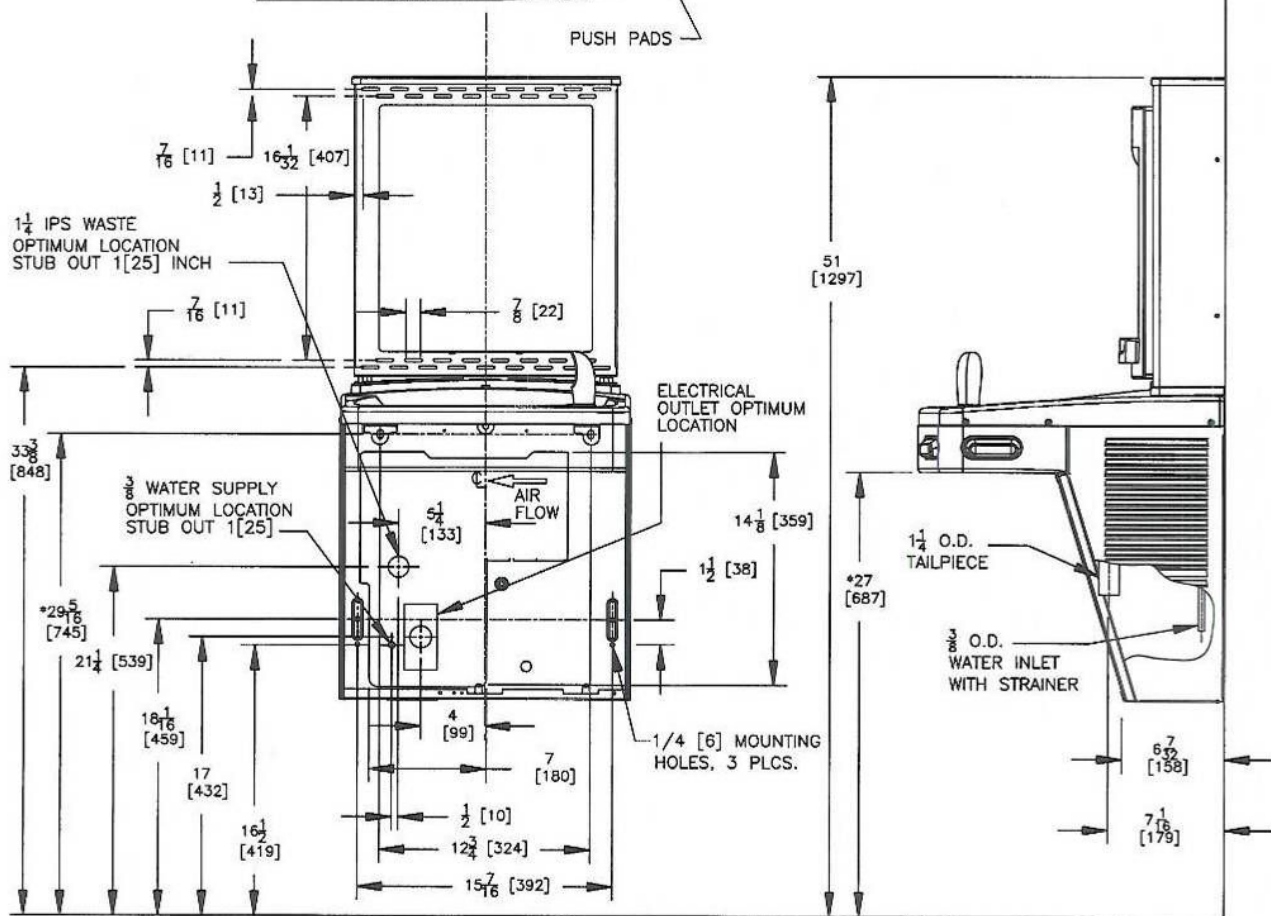
Section 2: Rough In Drawing

Oasis PWEBF: Versacooler® II Models PAC, P8AC with Hands-Free VersaFiller

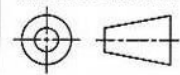


NOTES:

1. TRAP, STOP VALVE AND ELECTRICAL OUTLET NOT FURNISHED.
2. ALLOW 4 INCHES [102 MM] MIN. PER SIDE FOR VENTILATION.
- *3. RECOMMENDED ADULT BARRIER FREE HEIGHT INSTALLATION SHOWN. REDUCE HEIGHT BY 3 INCHES FOR INSTALLATIONS USED PRIMARILY BY CHILDREN AGES 12 AND YOUNGER. UNIT SHALL ALSO HAVE A MINIMUM CLEAR FLOOR SPACE 30 [760] BY 48 [1220]. ADJUST VERTICAL DIMENSIONS AS REQ'D TO COMPLY WITH FEDERAL, STATE, AND LOCAL CODES.
4. ALL DIMENSIONS ARE IN INCHES. DIMENSIONS IN BRACKETS [] ARE IN MILLIMETERS.



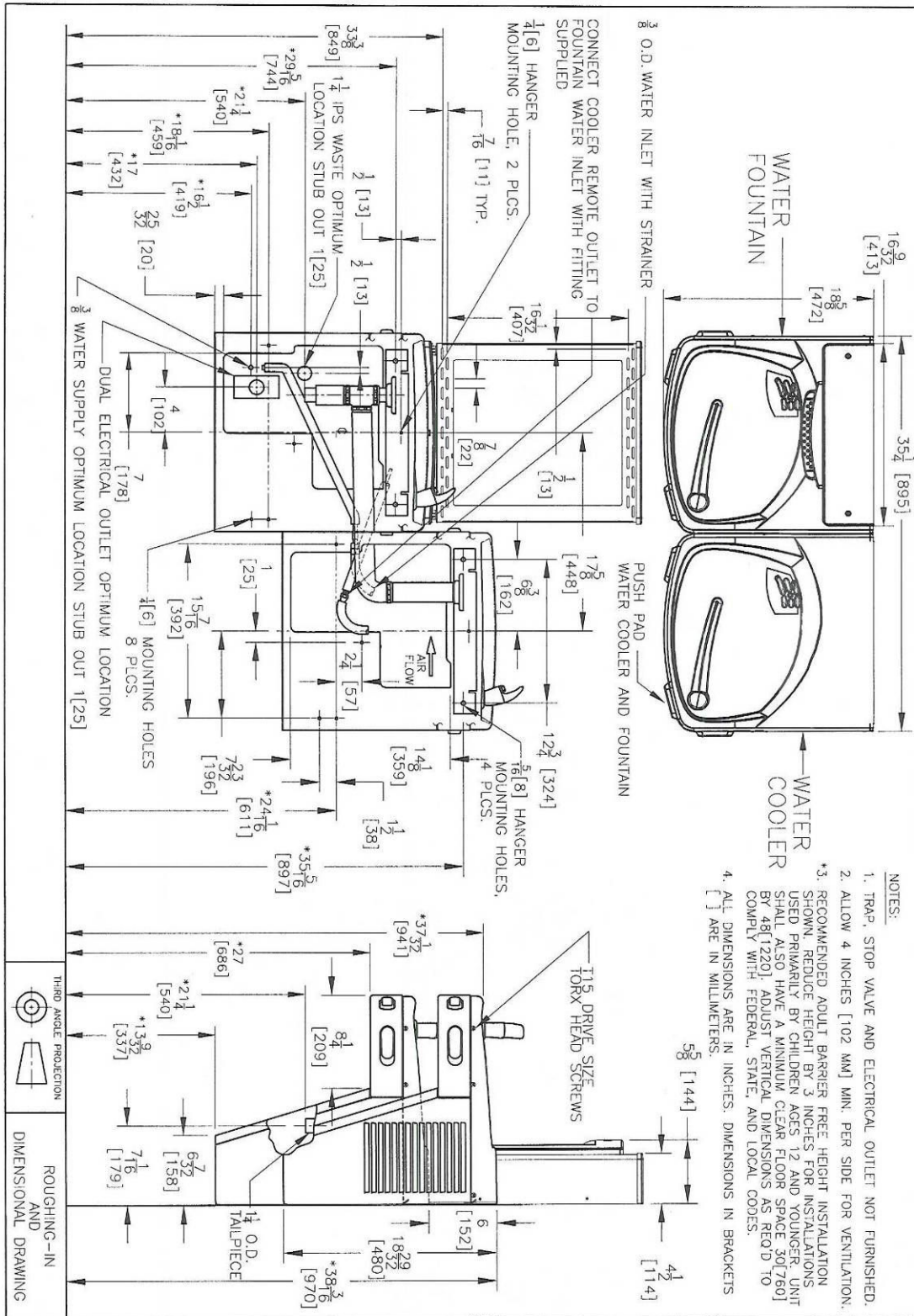
THIRD ANGLE PROJECTION



ROUGHING-IN AND DIMENSIONAL DRAWING

Section 2: Rough In Drawing

Oasis PWEBF: Versacooler® II Split Level Models with Hands-Free VersaFiller



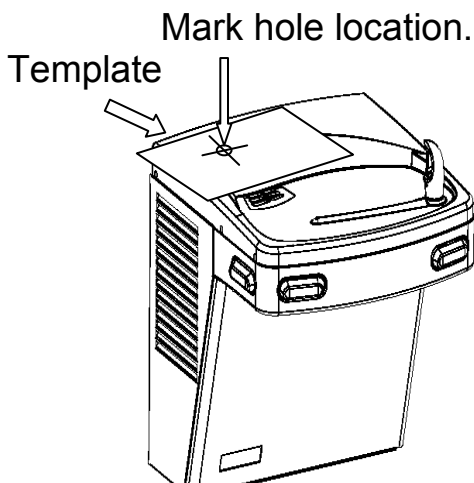
* On split level models, the VersaFiller must be mounted on the low unit in order to meet ADA guidelines.

Section 3: Installation

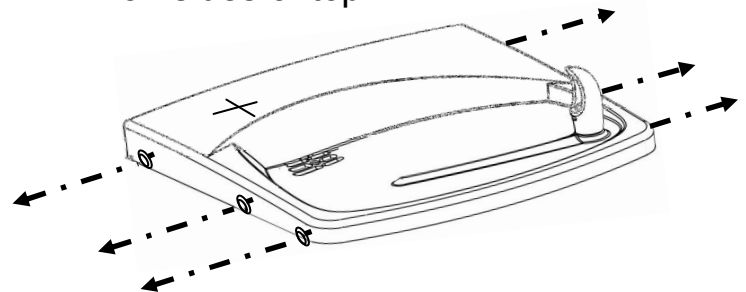
Note: Proceed to Sect 3B Step 5 if the cooler is purchased “VersaFiller ready”.

A: Drilling hole in the top for water line connection.

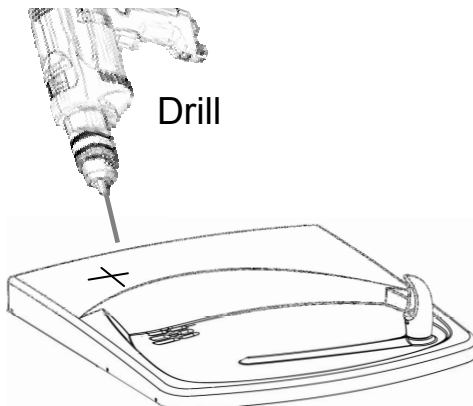
1. Disconnect power by UNPLUGGING unit. It might be necessary to remove the front panel to get access to the power.
2. Turn OFF water supply to the unit. It might be necessary to remove the front panel to access the water stop valve.
3. Place hole template onto cooler top so it is aligned with the left side of unit and wall. SEE NEXT PAGE FOR TEMPLATE
4. Mark hole location
5. Remove top from unit.



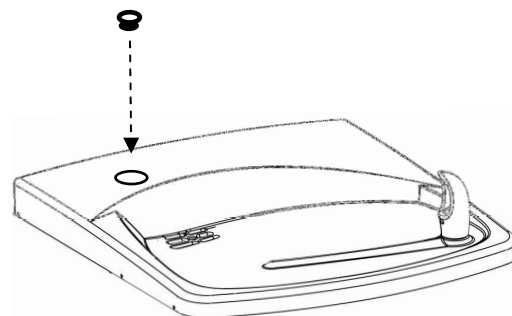
Remove top from cooler by removing six #15 torx head screws on sides of top.



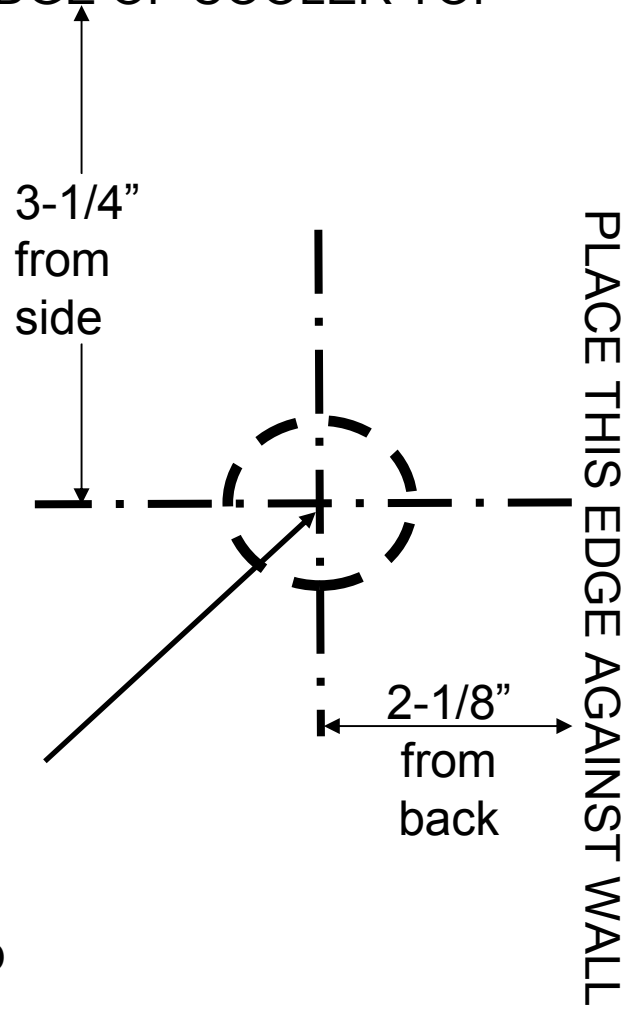
6. Using a step drill bit or 7/8" punch die, make a 7/8" hole through top. You may want to drill a pilot hole to get these started.
7. Install snap bushing into hole to protect tubing from being cut.



Install bushing



ALIGN THIS EDGE WITH LEFT EDGE OF COOLER TOP



Mark this center point on the top. Remove the top from the cooler. Then create a 7/8" diameter hole through the top at the marked center point (step drill bit or punch die).

USE THIS TEMPLATE TO MARK THE HOLE LOCATION ON COOLER TOP

Section 3: Installation

B: Connecting the water line

Note: If you are retrofitting the Versafiller to an existing cooler, follow the instructions starting on the next page.

For the single “Versafiller ready” cooler, the tube to connect to the Versafiller is found inside the access panel (the compressor compartment). This tube supplies cold water from the cooling tank to the Versafiller.

1/4" OD tube to connect
to Versafiller



For split level “Versafiller ready” coolers, the tube to plumb in the Versafiller is packaged in the dummy unit.

Remove tube from bag.



First, remove plug from
fitting on tank drain



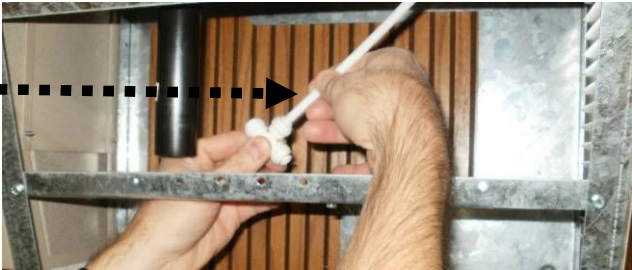
Next, insert end of
tube into fitting.



The tee and tube to the Versafiller are packaged with the PWEBF unit. One branch of the tee will supply the valve on the dummy unit, the other branch of the tee will connect to the Versafiller.

If a filter is being installed, cut a piece of tubing about 3" long to insert flow switch right after filter and before tee. This allows Versafiller counter to accurately calculate amount of water passing through filter.

Tube to connect valve on dummy unit



Tube to connect Versafiller



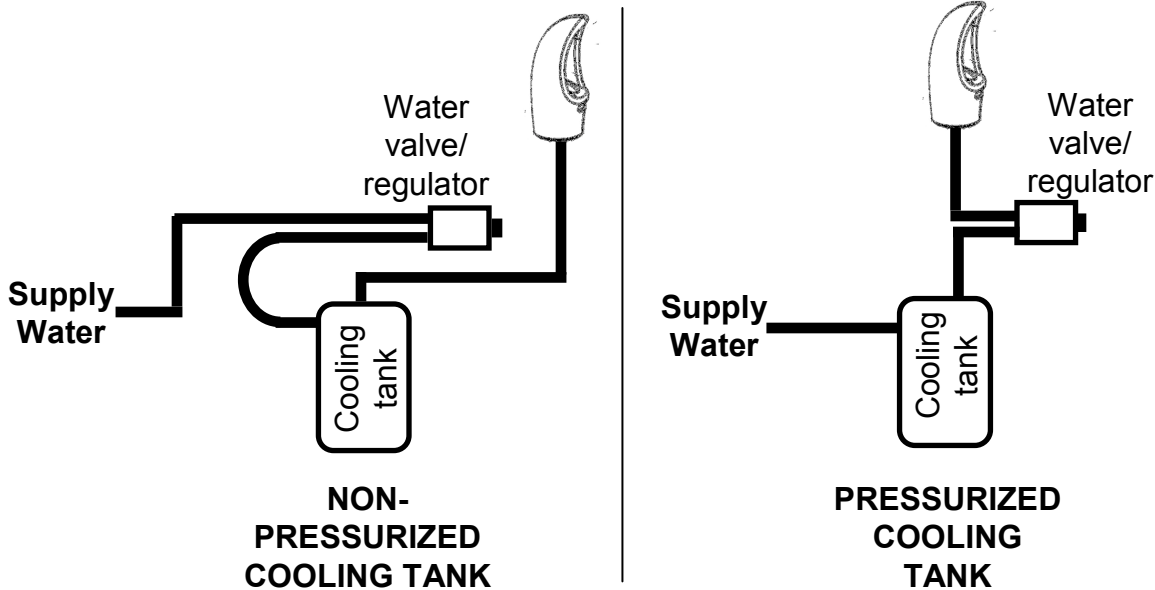
Tube to connect chilled water to dummy unit and Versafiller



Go to Step 5 "Final steps for both product families:"

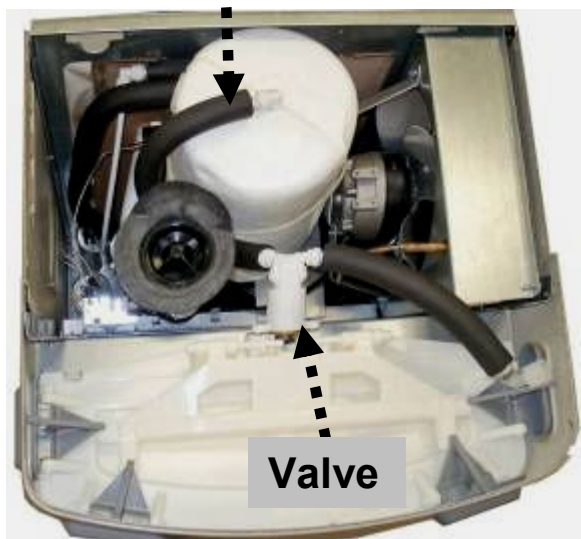
To retrofit the Versafiller to an existing unit, follow the instructions below:

If the cooling tank is non-pressurized, then go to the “Pressurizing the cooling tank” addendum section. Otherwise, proceed to step 1 below. Non-pressurized units are single units made since December of 2009. Refer to the schematic below to identify the system that you have.



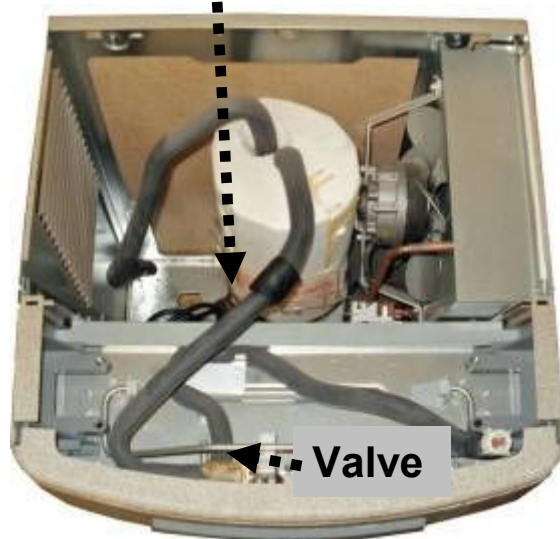
1. With the cooler top removed, find the tube going from the cooling tank outlet to the valve. The TEE fitting (supplied) will need to connect between the cooling tank and valve.

Outlet Tube (insulated plastic)



P8AC family

Outlet Tube (insulated copper)



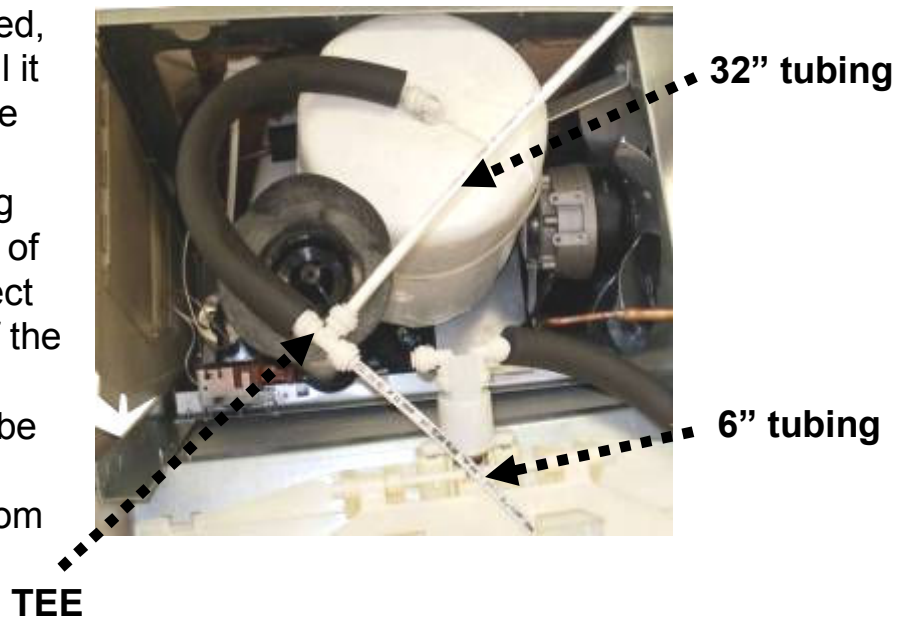
P8AM family

Section 3: Installation: For the P8AC Version: Versacooler II

2. Disconnect tubing from the elbow on the valve.



3. Using the 38" piece of tubing provided, cut 6" and install it on the end of the TEE. Install the remaining tubing onto the branch of the TEE. Connect the other end of the TEE to the tank outlet tubing (tube that was disconnected from the elbow).



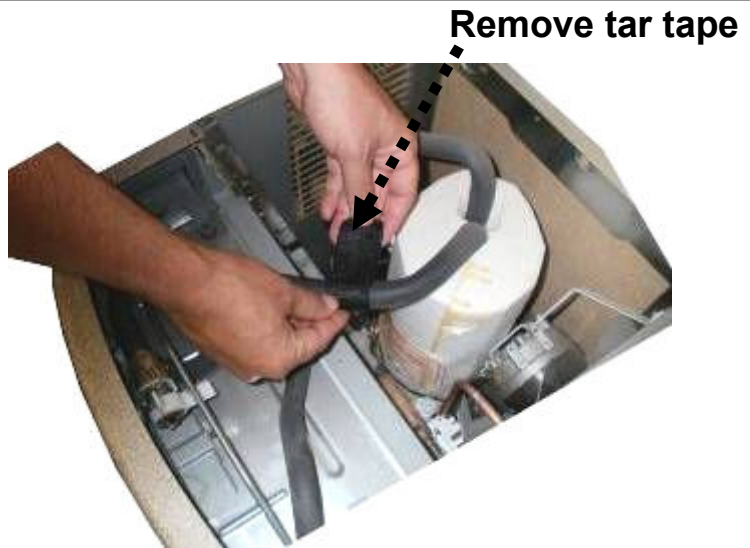
4. Route the TEE and tubing under the waste drain and connect the 6" length to the water valve elbow.



Go to Step 5 "Final steps for both product families:"

Section 3: Installation: For the P8AM Version: Versacooler I

2. Remove tar tape from the insulation on the outlet tube.



3. Pull back insulation and cut the copper tube with a tubing cutter. Cut where there is at least 1 inch of *straight* tubing on each side of the cut.



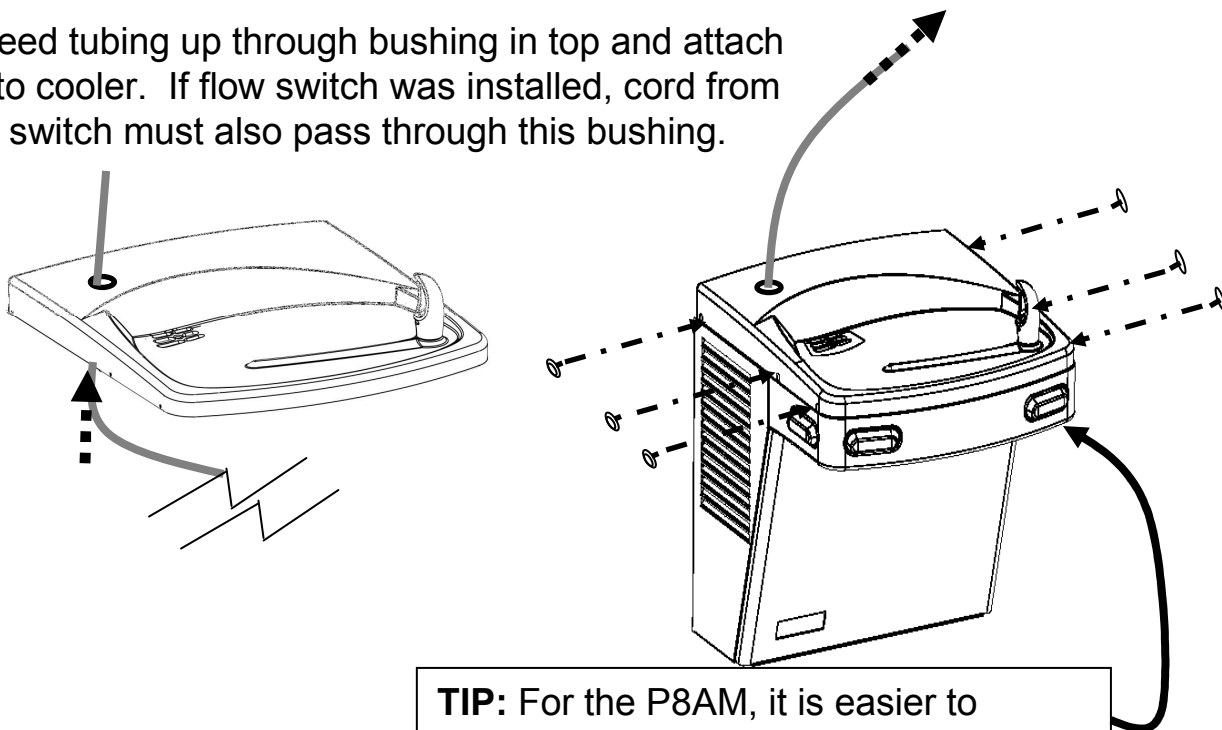
4. Install TEE fitting by connecting the copper tubing to each end. Then install the 32" piece of plastic tubing to the TEE branch.



32" plastic tubing (supplied)

Section 3: Installation: **Final steps for both product families:**

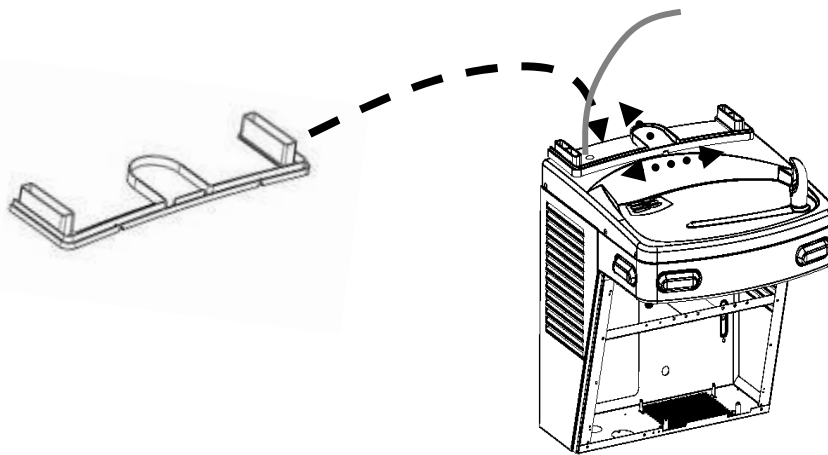
5. Feed tubing up through bushing in top and attach top to cooler. If flow switch was installed, cord from flow switch must also pass through this bushing.



TIP: For the P8AM, it is easier to connect the outlet tube to the bubbler if the front nose is removed.

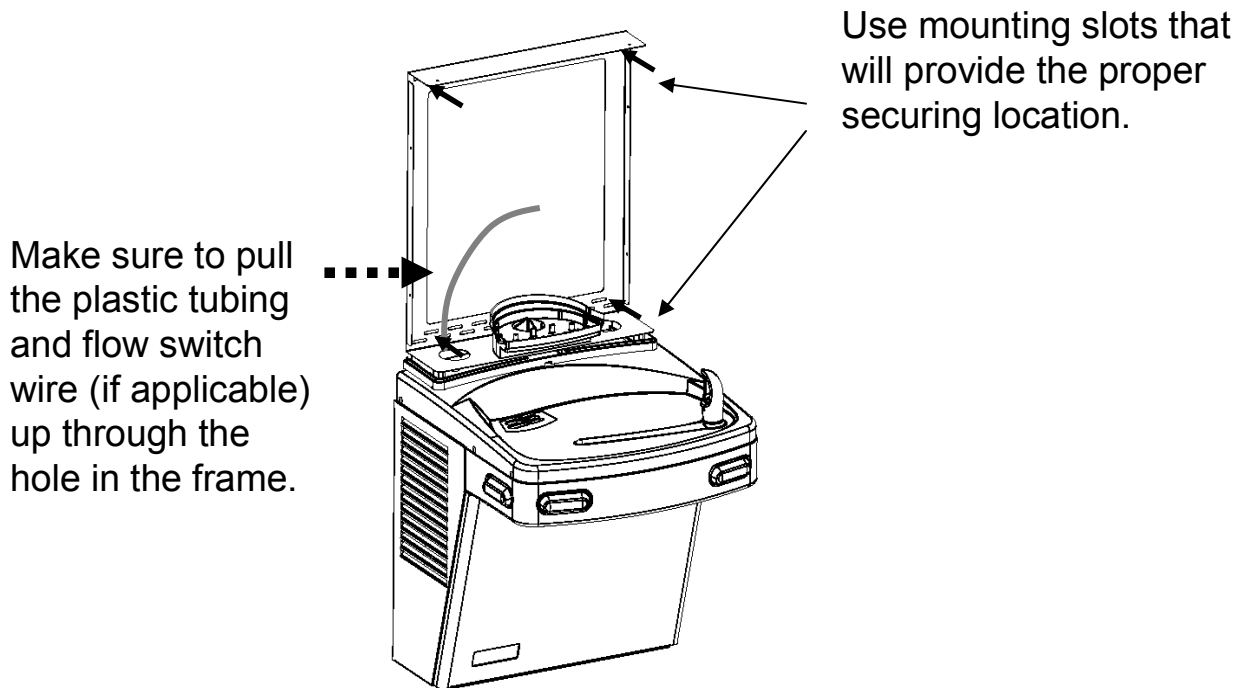
C: Mounting the frame to the wall

1. Place rubber gasket on top of the cooler so it is centered left/right and against the wall.



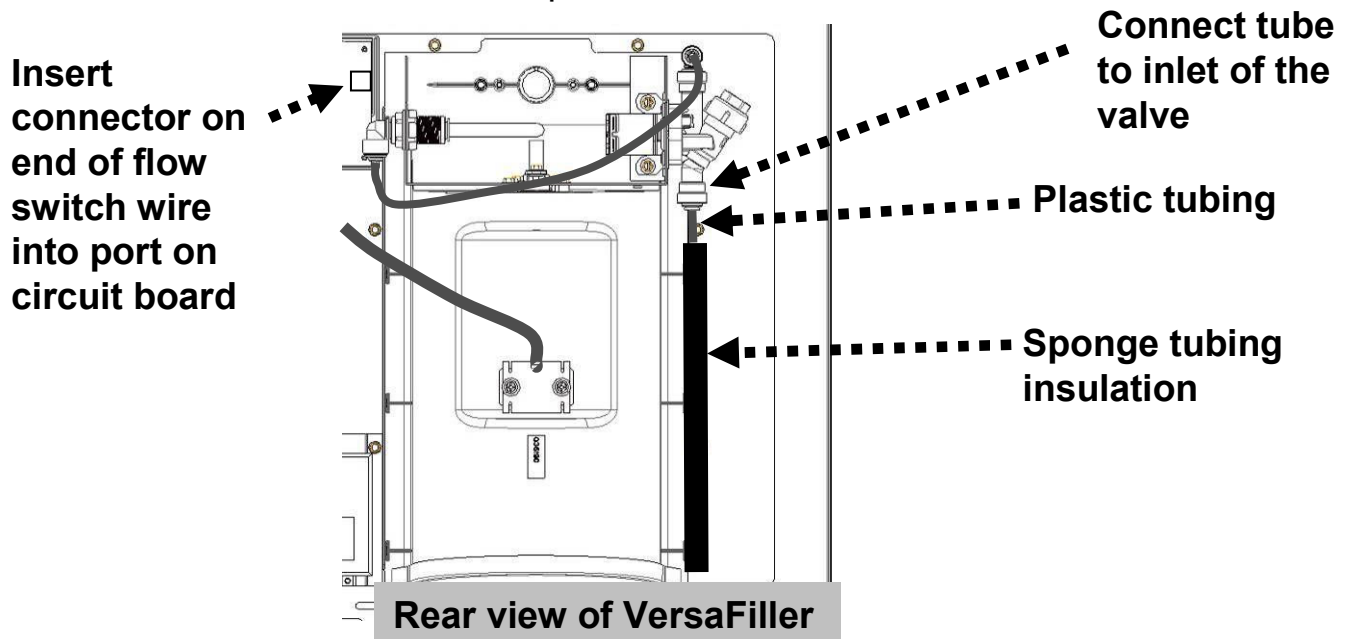
Section 3: Installation

2. Set the wall frame onto the gasket. Center it left/right and push it against the wall and mark hole locations for wall fasteners. The gasket will set the frame at the proper height.



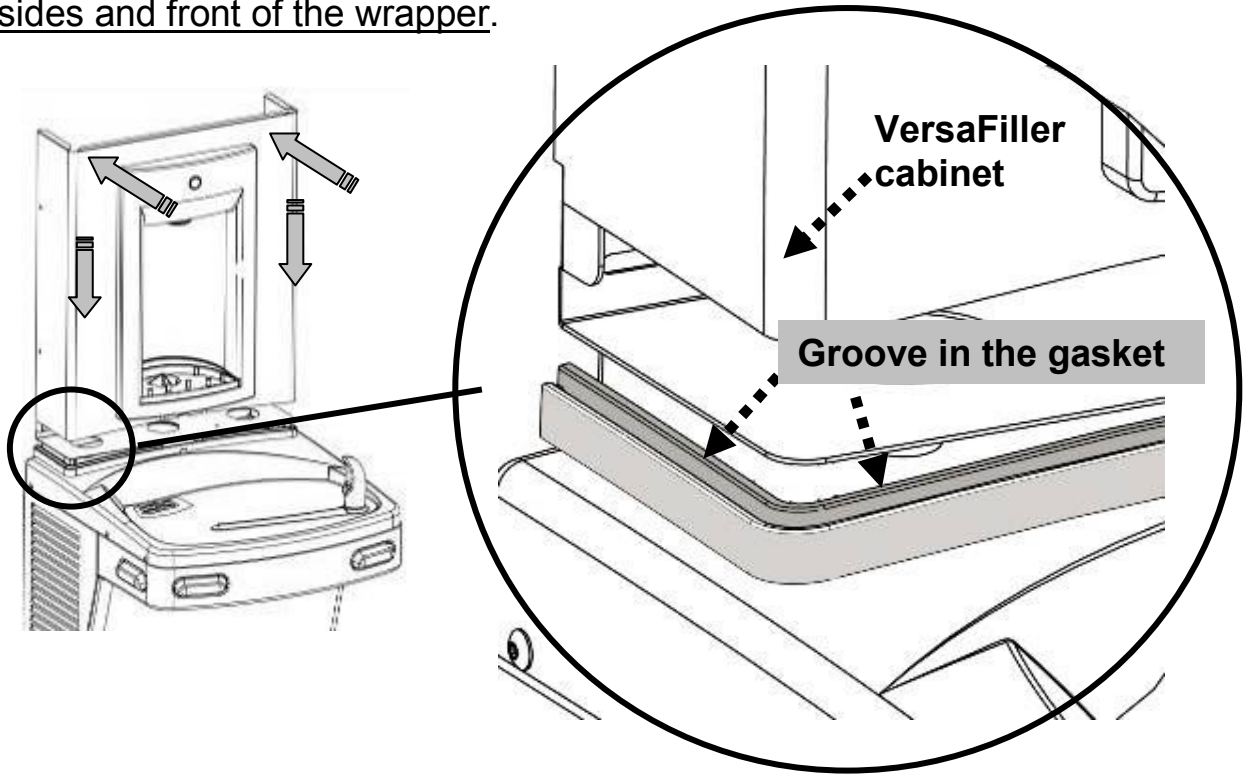
3. Secure frame to the wall with fasteners (not provided). Pull plastic tubing up through the hole in the frame.

4. Slide sponge tubing insulation over water line. Connect the tubing to the INLET of the solenoid on the back of the Hands-free VersaFiller assembly and flow switch connector into port on circuit board.

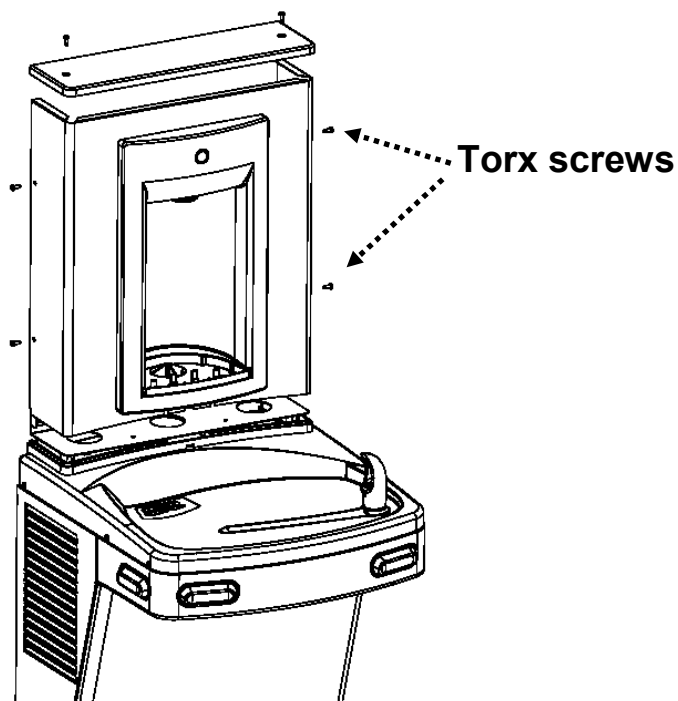


Section 3: Installation

5. Set the VersaFiller cabinet into place. As you do, feed the terminals on the power supply power cord through the bushing on the cooler top. **MAKE SURE** the cabinet fits into the *groove* in the rubber gasket on both sides and front of the wrapper.

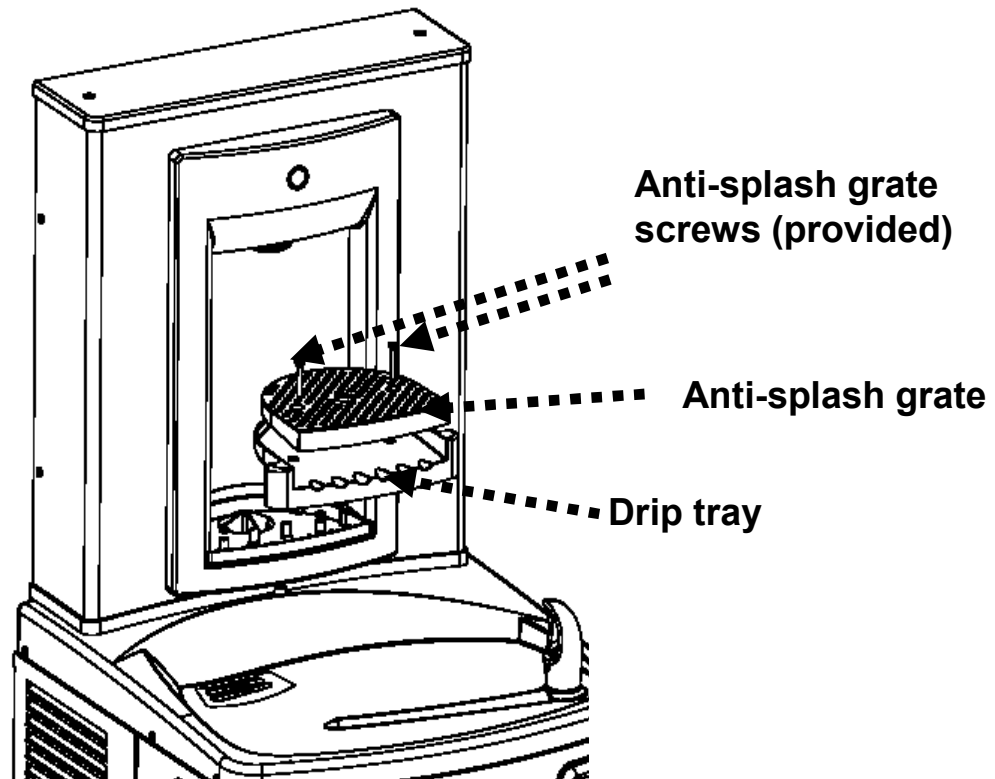


6. Attach VersaFiller assembly to the frame using four (4) torx screws. Leave the top cap off until after the program is set for this installation.



Section 3: Installation

7. Install the drip tray and anti-splash grate into the alcove area and secure with the two (2) stainless steel phillips head screws.

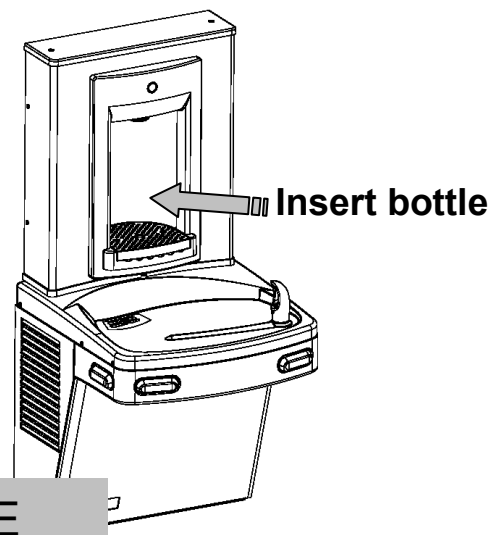


8. Connect male tab terminals from bottle filler power supply to female terminals on power cord. Make sure male tab is seated inside metal contacts of female terminal.

9. Plug in bottle filler cord. The program should be set up specific for that installation. See the program guide on the next page.

10. Turn ON water supply and check for leaks. Place a container in the alcove to release any trapped air from the system. Plug in the power cord and replace the front panel.

11. If everything works correctly, place the top cap back on the bottle filler and use the remaining two (2) torx screws to fasten it in place. Otherwise, calibrate the sensor per the instructions on the next page.



INSTALLATION COMPLETE

Section 4: Set-up guide for bottle filler electronics

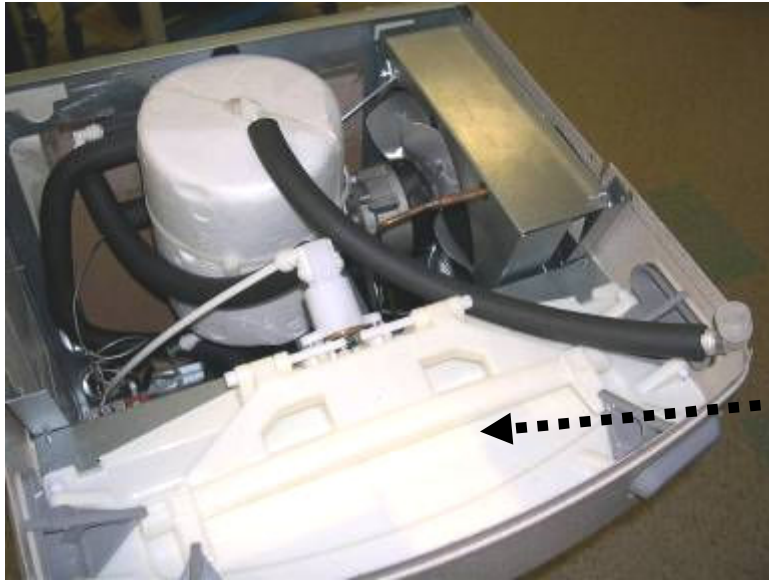
Factory default settings are for a(n):

- UNFILTERED unit
- 20 second maximum run time

You can change the program settings by entering the program mode. To change the program settings, use the following steps:

1. Top cap is set aside until program is complete. Remove top cap by unscrewing two (2) T15 torx screws if needed.
2. Reach hand down between frame and front of cabinet to gently press button sticking up from top of circuit board (Note: Circuit board runs on low voltage and will not shock you). A remote button is available. Remove wire tie bundling it inside bottle filler and feed it through hole in cooler top. You can then adjust program using button through access panel of cooler.
3. To enter program mode, press and hold button for about 3 seconds. When you hear a beep, let go of button. You are now in program mode. Pressing button for an instant will advance to next screen. It will revert back to operating mode if no button is pressed for 10 seconds.
4. When you enter program mode, display screen will read “UNFILTERED UNIT.” To access settings for “FILTERED UNIT”, press and hold button for about 3 seconds. Press button for an instant to advance to next menu item.
5. If you wish to reset filter life counter or bottle counter, press and hold button for 3 seconds in screen asking corresponding question.
6. Default capacity for filter life counter is 1250 gallons (to match Versafilter). Press and hold button 3 seconds in “FILTER CAPACITY OF...” screen to change setting to 3000 gallons (galaxi® green filter media).
7. ”Bottle Filler Set_time” screen is to adjust maximum run time once sensor is activated. Water flow will stop once container is removed from alcove, but this feature ensures very little water is wasted if someone tampers with dispenser.
8. Unit is calibrated at factory, but it is recommended that sensor be recalibrated at each install. Also, if you are having problems with sensing of a bottle, try recalibrating it before calling for service. Press and hold button for 3 seconds to calibrate sensor in “INFRARED SENSITIVITY” screen.
9. Put top cap back on and fasten in place with two (2) torx screws.

Addendum Section: Pressurizing Cooling Tank



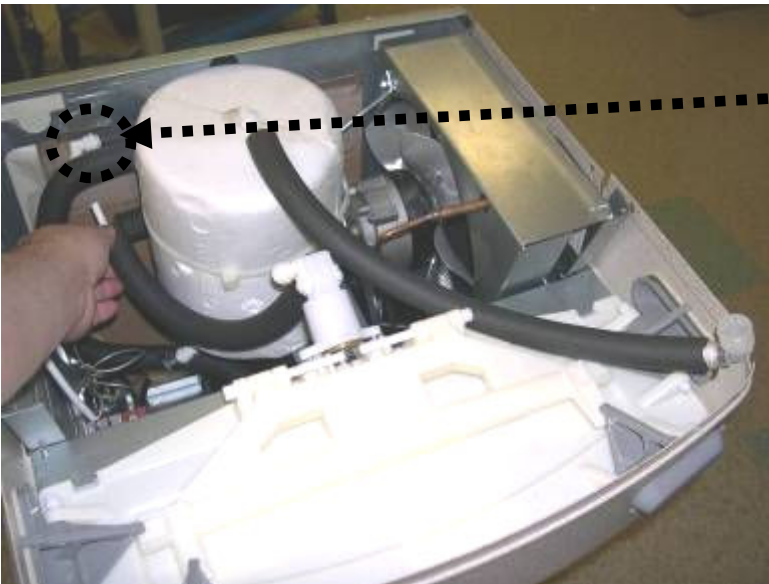
The water should already be turned OFF and the power disconnected.

Unit as it appears with top removed



STEP 1

Unplug un-insulated water line from water valve inlet (JG elbow located left side of water valve facing the front of the cooler). Set tubing aside (careful to not contaminate water contact end).



STEP 2

Unplug tubing from JG elbow leading to cooling tank inlet.



STEP 3

Plug un-insulated tubing that was removed in step 1 into JG elbow leading to the cooling tank from step 2.



STEP 4

Unplug tubing that is connected to the water valve outlet (JG elbow located on the right side of valve facing the cooler).



STEP 5

Connect tubing from step 4 to JG elbow on the left side of the valve.



Step 6

Unplug JG tubing from the cooling tank outlet. Do not set it down.



Step 7

Using tubing removed in step 6, plug into JG elbow on the right side of the valve. (be sure to rout the tubing under existing tubing installed in step 4 as shown)



Step 8

Using tubing that is connected to the JG elbow left side of valve (done in step 4), and plug the other end to the JG fitting at the top of the cooling tank.

**Return to Section 3 B
“Connecting the water line”**

Electronics quick reference guide

- Press and hold button for 3 seconds to enter program mode or change program setting while in program mode.
- Choose “UNFILTERED UNIT” or “FILTERED UNIT” in program mode.
- “BOTTLE FILLER SET_TIME” is adjustable from 10-20 seconds in program mode.
- To reset filter life counter, press and hold button at question “RESET ##### GALLON COUNT?” in program mode.
- To reset bottle counter, press and hold button at question “RESET ##### BOTTLE COUNT?” in program mode.
- Re-calibrate sensor at installation or if sensor doesn't respond correctly. To re-calibrate, press and hold button at “INFRARED SENSITIVITY” screen in program mode.

Accessories:

Vandal resistant screw kit: P/N 036704-001, includes torx bits and replacement screws for items 4 and 25.

Gasket, Sunroc/Haws : P/N 036689-101 (replaces item 10): [KIT P/N 036752-001](#)

Gasket, Elkay/Halsey Taylor P/N 036689-201 (replaces item 10): [KIT P/N 036752-002](#)



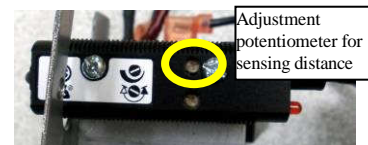
OASIS® VERSACOOLER® II MODELS PAC, PGAC, PFAC, P8AC, PG8AC, PF8AC, P8ACEE, PF8ACEE, PV8AC SUNROC MODELS ADAAC, ADAFAC, ADA8AC, ADAF8AC, ADA8ACHF, ADAF8ACHF

A. INSPECTION

Inspect the carton and water cooler for evidence of rough handling and concealed damage. Damage claims should be filed with the carrier.

B. TO PUT WATER COOLER INTO SERVICE

- Note:** The following states require a licensed plumber to install cooler; AR, GA, MA, MI, OK, RI, SC, SD, TX, VT and WI. CA, KS, MN, NM and OR allow for a state-registered installer or contractor as well. State and local plumbing codes may prohibit the use of saddle tapping valves for water line connection in some applications. All connections must conform to applicable plumbing codes.
- Locate and install plumbing and electrical service, if required, in accordance with the Roughing-in Drawing. Filter units have additional instructions on a label inside the access panel. Read these before installing unit. This drinking water cooler is designed to be operated at a water supply line pressure of up to 100 psi (690 kPa). A pressure regulator must be installed in front of the unit's water inlet if the water pressure (including any possible pressure spikes) could exceed 100 psi (690 kPa).
- FLUSH BUILDING WATER SUPPLY LINE BEFORE INSTALLING UNIT.
- Install unit on the wall hanger. **Wall hanger is shipped fastened to the back of the unit.**
- Install a trap in the waste line and a shut off valve in the water supply line.** An in-line strainer is furnished in the "Water Supply" tube. Connect the "Water Supply" tube to the shut off valve. This connection should not be a solder joint or flare connection to allow access to the strainer for service. To ease removal of the strainer, a sheet metal screw may be lightly threaded into the open end. When the unit has an internal waste trap, the trap should be wrapped with insulating tape to prevent sweating. Use of the 1-3/4 diameter knockout for a waste line is not recommended because of a potential conflict with ADA* toe space clearance requirements. Check your local building code inspector for approval.
- Rotate the fan blade by hand to see that it is free of obstructions.
- Check the available power supply against the water cooler data plate to assure correct electrical service. This drinking water cooler is intended to be connected to a 20A minimum ground fault circuit interrupting (GFCI) device to meet UL requirements. Plug power supply cord into wall outlet. The rear most 1-3/8 diameter knockout in the frame bottom is for an externally located electrical supply. Make sure the knockout hole edge is smooth and free of any burrs. Use of a Heyco bushing #2184 in the knocked out hole is recommended in order to prevent damage to the service cord and to close up excess opening around the cord. Route the cord so it does not interfere with ADA* space requirements.
- To fill the cold water tank on water cooler versions, open the water supply line shut-off and push any one of the front or side pushbuttons to allow water to flow to the bubbler. On the EE or HF model, actuate the solenoid by holding one hand approximately 3" from the infrared sensor. Run water until stream is free of bubbles.
- To Adjust Bubbler Stream:
 - All Pushbutton models are equipped with a Cartridge Regulator. The P8AC, PAC, PG8AC, PGAC, PF8AC, PFAC, ADAAC, ADAFAC, ADA8AC and ADAF8AC have a slot in the shelf below the Pushbuttons. Insert a screwdriver in this slot to adjust regulator. Turn adjustment clockwise to increase stream height. To access the PV8AC adjustment, remove the Bezel and Button from the front of the cooler.
 - Electric Eye (EE or HF) models have a Regulator built into the Bubbler. If adjustment is needed, insert a 5/64 hex wrench approximately 1-1/8" into the bubbler nozzle opening until it bottoms out and is seated in an adjust screw. Turn the adjust screw clockwise to reduce the stream height or counterclockwise to increase the height. Note, less than one turn is required to go from a closed to a wide open flow. Do not over tighten the adjuster in the closed position as stripping the hex impression in the adjust screw may result. Turn the adjuster 1/16 of a turn at a time.
- On electric eye equipped models, place and then hold hand approximately 3" from the sensor to actuate the solenoid valve. After approximately 30 seconds run time, the sensor will automatically shut off the solenoid valve. To reactivate, move hand away for an instant and then again place it in front of the sensor.
- To adjust the beam range of the sensor (EE and HF models only):
 - Shut off the water and power supplies.
 - Remove the four screws from the top front.
 - To adjust sensing distance, use a mini-screwdriver (3.0mm flat tip or smaller) and rotate adjustment potentiometer screw on side of sensor. Turn clockwise to sense objects further away. This is represented by thicker end of curve on sensor label. The screw can be turned a maximum of 3/4 turns. The sensor has a maximum range of approximately 30". It is factory set at 15".
 - NOTE: Do not turn adjustment as high as it can go. If you do the sensor will lock on until you turn the sensing distance back down.**
 - There is an adjustable on-time delay of 0.5 seconds to prevent nuisance actuation of the solenoid valve should someone walk by. To adjust on-time delay, rotate blue knob on timer clockwise. The maximum on-time delay is 1 second. After drinking, the water will shut off immediately after walking away. Maximum run time is 30 seconds should someone tamper with the sensor. **NOTE: Walls with a reflective finish, i.e., ceramic tile, across from the sensor may cause false actuation no matter what the sensor adjustment is for distance. Therefore, do not install the unit in such an area or dull the surface of the wall so it will not reflect light.**



C. MAINTENANCE

The only maintenance operation required is the removal of dirt and lint from the condenser where used. Inspection should be made at 3-month intervals. Disconnect the power supply cord, then clean the condenser with a small stiff non-wire or vacuum cleaner attachment brush when required. Observance of this procedure will insure adequate air circulation through the condenser so operation is efficient and economical.

D. OVERLOAD PROTECTION

The compressor motor, where used, is equipped with an automatic reset protector which will disconnect the motor from the line in case of an overload.

E. LUBRICATION

This unit is equipped with a hermetically sealed compressor and requires no additional lubrication. The fan motor, where used, on this unit seldom needs oiling, but if required, a few drops of SAE 10 oil should be used.

F. TO DISCONTINUE USE OF WATER COOLER

- Close water shut-off valve.
- Provide container to catch water to be drained.
- On the push button model, disconnect the water supply line at the shut off valve and remove the tank drain plug. Actuate and hold in the pushbutton to open the solenoid valve and completely drain the cooler. Disconnect the power supply cord.
- On the EE model, disconnect the water supply line at the shut off valve and remove the tank drain plug. Actuate the solenoid, as explained in Step B8 to completely drain the cooler. Disconnect the power supply cord.
- Replace plug when draining is complete.
- ALWAYS DRAIN ALL WATER WHEN FREEZING TEMPERATURES ARE ANTICIPATED AND BEFORE SHIPPING THE WATER COOLER.**

*Americans With Disabilities Act

WARNING

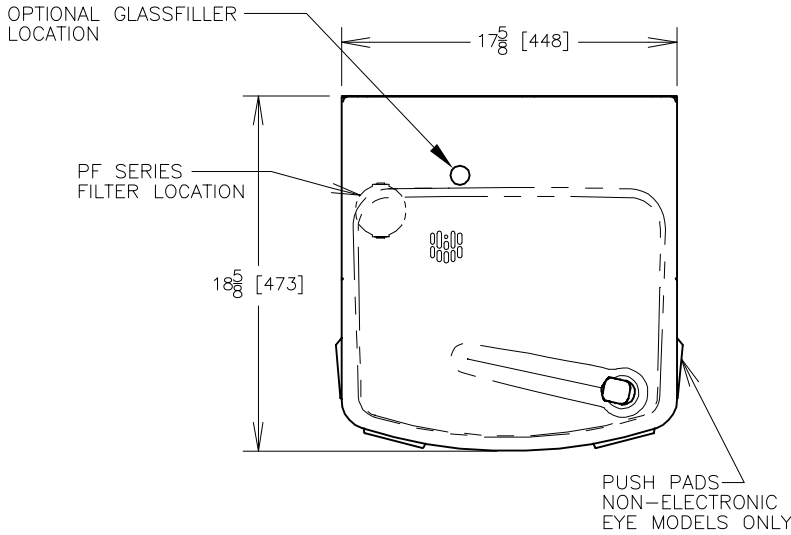
The warranty and the Underwriters' Laboratory Listing for this machine are automatically voided if this machine is altered, modified, or combined with any other machine or device. Alteration or modification of this machine may cause serious flooding and/or hazardous electrical shock or fire. EXCEPT AS SET FORTH HEREIN, THE MANUFACTURER MAKES NO OTHER WARRANTY, GUARANTEE OR AGREEMENT EXPRESSED, IMPLIED OR STATUTORY, INCLUDING ANY IMPLIED WARRANTY OR MERCHANTABILITY OR FITNESS FOR A PARTICULAR PURPOSE.

OASIS INTERNATIONAL
222 East Campus View Blvd. • Columbus, OH 43235 U.S.A.
1-800-950-3226
www.oasiscoolers.com

OASIS® VERSACOOLER® II MODELS

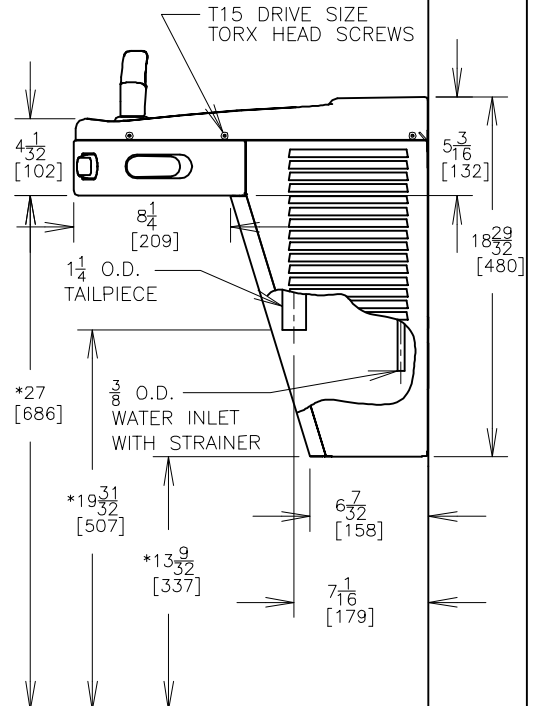
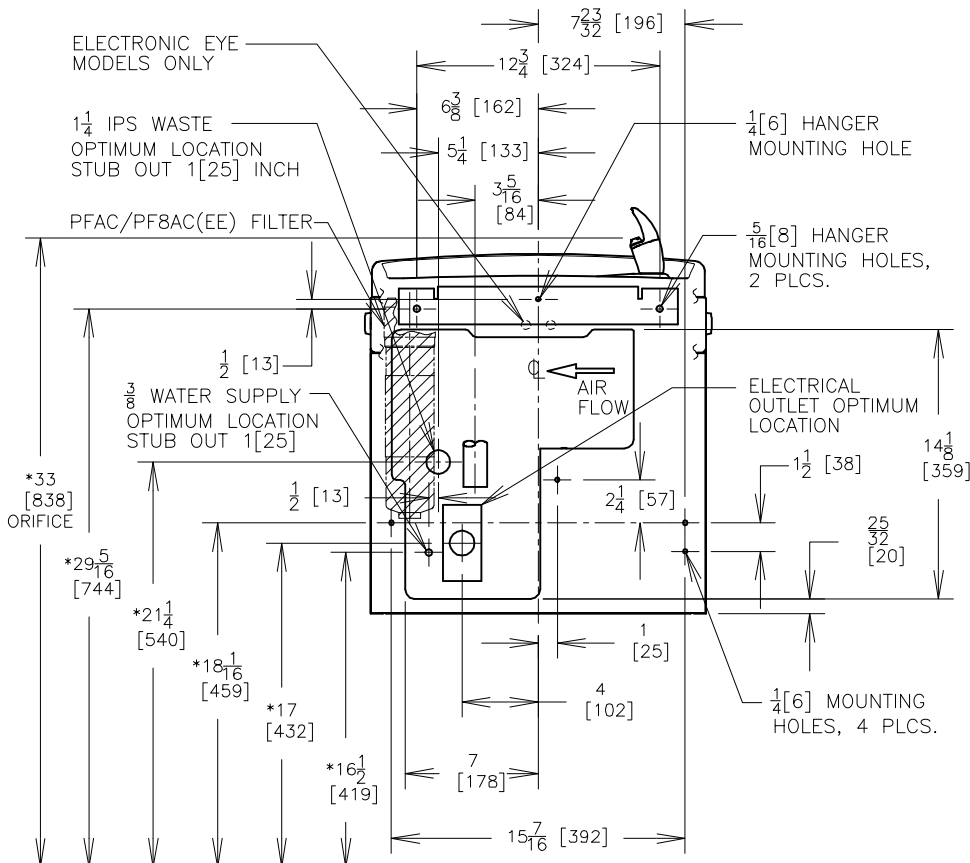
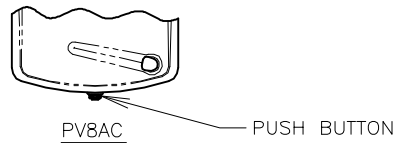
PAC, PGAC, PFAC, P8AC, PG8AC, PF8AC, P8ACEE, PF8ACEE, PV8AC

SUNROC MODELS ADAAC, ADAFAC, ADA8AC, ADAF8AC, ADA8ACHF, ADAF8ACHF

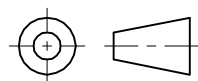


NOTES:

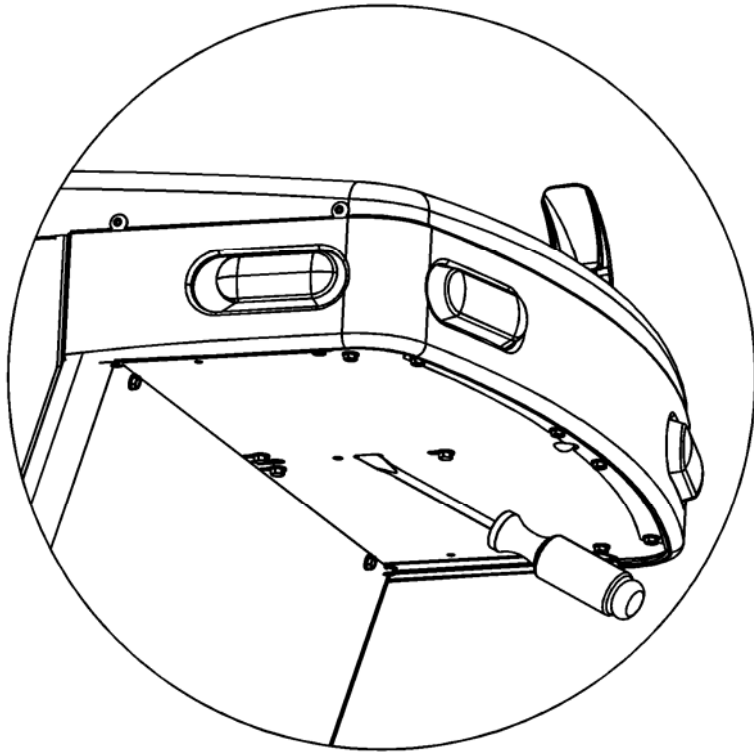
1. TRAP, STOP VALVE AND ELECTRICAL OUTLET NOT FURNISHED.
2. ALLOW 4 INCHES [102 MM] MIN. PER SIDE FOR VENTILATION.
- *3. RECOMMENDED ADULT BARRIER FREE HEIGHT INSTALLATION SHOWN. REDUCE HEIGHT BY 3 INCHES FOR INSTALLATIONS USED PRIMARILY BY CHILDREN AGES 12 AND YOUNGER. UNIT SHALL ALSO HAVE A MINIMUM CLEAR FLOOR SPACE 30[760] BY 48[1220]. ADJUST VERTICAL DIMENSIONS AS REQ'D TO COMPLY WITH FEDERAL, STATE, AND LOCAL CODES.
4. ALL DIMENSIONS ARE IN INCHES. DIMENSIONS IN BRACKETS [] ARE IN MILLIMETERS.



THIRD ANGLE PROJECTION



ROUGHING-IN AND DIMENSIONAL DRAWING



To adjust stream height, insert a 1/8" Flat blade screwdriver into the slotted hole as shown. The screwdriver will engage the stream height adjuster in the cartridge plunger. Turn clockwise to increase stream height, or ccw to reduce stream height.

032386-048 Rev. A