

Specification Submittal Data / Panasonic Ventilation Fan

Description

The SelectCycler System is designed to work in combination with the Panasonic WhisperGreen Select ventilation fan to operate in Hybrid or Balanced ventilation mode to meet ASHRAE 62.2 ventilation standards. The SelectCycler kit comes with a wall-mount controller, FanConnect™ wall switch and either the 4", 6", 8" or 10" supply damper. The wall-mounted controller with ASHRAE 62.2 programmable run cycles provides precise ventilation control using its patented ventilation algorithm to calculate supply duct and exhaust fan run times. The controller also allows for programmable hours of operation. All components are evaluated by Underwriters Laboratories to conform with both UL and cUL Safety Standards.

Programmable Wall Mounted Controller:

- Calculates supply duct and exhaust fan run cycles to meet ASHRAE 62.2.
- Patented algorithm calculates operation time to meet ASHRAE 62.2 ventilation requirements.
- Allows for programmable hours of operation.
- Calculated flow or calculated time set up.
- LCD display for system operation feedback and trouble shooting.
- Communicates to the FanConnect™ wall switch to control the bathroom exhaust fan.
- Operating Voltage: 24 VAC (up to 30 VAC max).
- Current Draw: 0.07 Amps.

Motorized Supply Damper:

- Stainless steel, power-open/close damper.
- Available in 4", 6", 8" or 10" duct size.
- Operating Voltage: 24 VAC (up to 30 VAC max).
- Current Draw: 0.07 A idle; 0.125 A for 15 second damper transit time.
- Power Draw (VA): >1W idle; 3W for 15 second damper transit time.
- Wiring requirements: 19 gauge minimum.
- Includes pigtail and damper for wiring.
- Damper can be installed in any position.

FanConnect™ Bathroom Fan/Light Wall Switch:

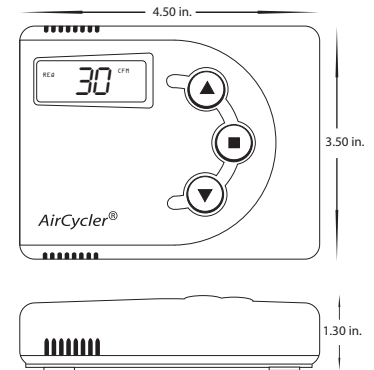
- Compatible with single, or multi-speed fans, set to a single speed setting.
- Light: 450 Watts @ 120 VAC (blue wire).
- Fan: 150 Watts @ 120 VAC (red wire).
- Operation: 120 VAC +/- 10%.

Warranty:

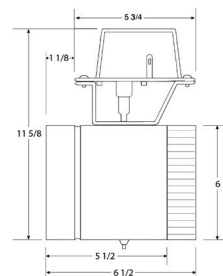
- SelectCycler System: 6 years from original purchase date, when purchased with a WhisperGreen Select fan or fan/light.

Architectural Specifications:

Motorized fresh air damper and bathroom exhaust fan must be used in combination with the programmable wall mounted controller and FanConnect™ wall switch in order to meet ASHRAE 62.2 ventilation in either Hybrid or Balanced Mode. Furnace fan timer shall be capable of turning on HVAC/AHU Blower with operating voltage of 24 VAC (up to 30 VAC max) with idle current draw of 0.07 Amps. FanConnect™ wall switch shall be capable of operating exhaust fan and optional bath light. Optional accessories include a range hood pressure sensor to resolve depressurization issues and hot and cold temperature sensors for ventilating in extreme climates. Can be used to comply with ASHRAE 62.2, LEED for Homes, ENERGY STAR® for Homes 3.0, CALGreen, California Title 24 and WA Ventilation Code.



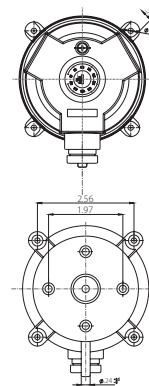
Controller



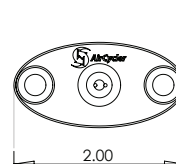
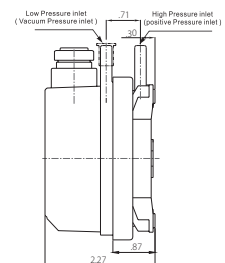
Supply Damper



Wall Switch



Range Hood Sensor



Hot/Cold Temperature Sensor

All measurements in inches

Optional Accessories, Sold Separately:

Range Hood Pressure Sensor(Model #SACRR):

- Solves depressurization issues.
- Max Operating Pressure -10kPa.
- Pressure Range: 20 ~ 200 Pa +/-15%.
- Operating Temperature: -40°C to 85°C.
- Electrical Rating: 1.5A (1.4A) / 250V.

HOT Temperature Sensor(Model #SACTG-H01):

- System control in extreme hot climates.
- OFF Temperature: 95°F +/- 5°.
- ON Temperature: 4°F lower.
- Operation: 2A @24VAC.

COLD Temperature Sensor(Model #SACTG-C02):

- System control in extreme cold climates.
- OFF Temperature: 35°F +/- 5°.
- ON Temperature: 4°F higher.
- Operation: 2A @24VAC.

Specification Submittal Data / Panasonic Ventilation Fan

Description

Customizable Ventilation Fan shall be low some ceiling mount rated for continuous run. Fan shall be ENERGY STAR® rated and certified by the Home Ventilating Institute (HVI). Evaluated by Underwriters Laboratories and conform to both UL and cUL safety standards.

Motor/Blower:

- Enclosed DC brushless motor technology rated for continuous run.
- Built-in Pick-A-Flow™ Speed Selector provides the ability to select desired airflow (50-80-110 CFM) with the flip of a switch.
- Power rating shall be 120 volts and 60 Hz.
- Fan shall be UL listed for tub/shower enclosure when used with a GFCI protected circuit and used in insulated ceiling (TYPE I.C.).
- Fan equipped with a thermal cutoff fuse
- Removable, permanently lubricated, plug-in motor.

Housing:

- Rust proof epoxy and polyester resin coating, 26 gauge galvanized steel body.
- Integrated dual 4" or 6" diameter duct adapter.
- Built-in metal flange provides blocking for penetrations through drywall as an Air Barrier, and assists with the decrease in leakage in the Building Envelope during blower door testing.
- Built in backdraft damper.
- Articulating and expandable Flex-Z Fast™ installation bracket up to 24" provides flexible, fast and easy installation.

Grille:

- Attractive design using Poly Pro material.
- Attaches directly to housing with torsion springs.

Warranty:

- ALL Parts: 3 Years from original purchase date.
- DC Motor: 6 Years from original purchase date.

Architectural Specifications:

Customizable Ventilation Fan shall be ceiling mount, ENERGY STAR rated type with built-in Pick-A-Flow™ speed selector. One fan—you pick the CFM. Select from 50/80/110 CFM and no more than <0.3 sone as certified by the Home Ventilating Institute (HVI) at 0.1 w.g. with no less than 53/82/113 CFM and no more than 0.3/0.4/0.8 sones at .25 w.g. Power Consumption shall be no greater than 3.5/5.5/9.8 watts at 0.1 w.g. and 15.1/15.3/11.5 watts at 0.25 w.g. ENERGY STAR rated with efficiency of no less than 15.1/15.3/11.5 CFM/watt at 0.1 w.g. and than 8.1/8.4/7.2 CFM/watt at 0.25 w.g. The motor shall be enclosed with brushless DC motor engineered to run continuously. Power rating shall be 120v/60Hz. Duct diameter shall be no less than 4", inclusive of an integrated dual 4" or 6" duct adapter. Fan shall be UL and cUL listed for tub/shower enclosure when used with a GFCI protected circuit. Fan can be used to comply with ASHRAE 62.2, LEED, ENERGY STAR, IAP, EarthCraft, California Title-24 and WA Ventilation Code.



DC Motor Technology:

When fan senses static pressure, its speed is automatically increased to ensure that the desired CFM is not compromised, which allows the fan to perform as rated.

Fan Specifications	WhisperGreen Select™ FV-05-11VK1					
Static Pressure in inches w.g.	0.1	0.25	0.1	0.25	0.1	0.25
Air Volume (CFM)	110	113	80	82	50	53
Noise (sones)	<0.3	0.8	<0.3	0.4	<0.3	0.3
Power Consumption (watts)	9.8	16.1	5.5	10.2	3.5	7.0
Energy Efficiency (CFM/Watt)	11.5	7.2	15.3	8.4	15.1	8.1
Speed (RPM)	931	1205	814	1131	747	1072
Current (amps)	0.10	0.16	0.06	0.10	0.04	0.07
MAX. Current(amps)	0.27					
Power Rating (V/Hz)	120/60					
ENERGY STAR rated	Yes					

0.25=Installed Performance

Panasonic Eco Solutions Company of North America, Eco Products Division
Two Riverfront Plaza
Newark, NJ 07102

us.panasonic.com/ventfans

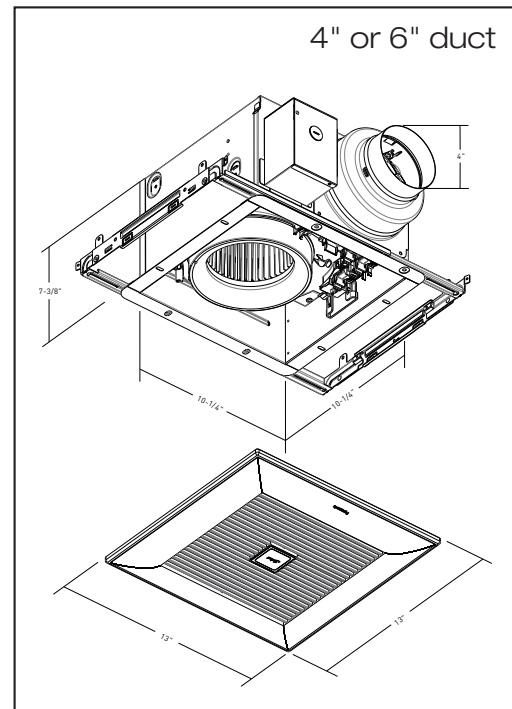


WhisperGreen Select™ models available for use with the SelectCycler System:

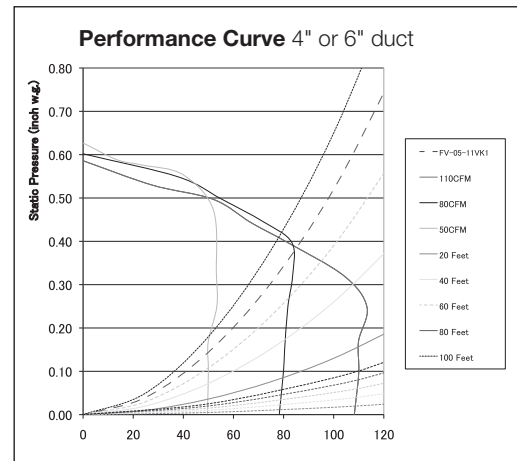
Fan Only: FV-05-11VK1 (shown) or FV-11-15VK1
Fan/Light: FV-05-11VKL1 or FV-11-15VKL1



Adjustable Airflow for Maximum Performance



FV-05-11VK1



Model	QTY	System Mode (Circle One)	Project:
		Balanced Mode	Location:
		Hybrid Mode	Architect:
		Supply Only Mode	Engineer:
			Contractor:
			Submitted by:
			Date:

