

**Features**

- Aluminum and glass construction
- Side kits are replaceable and sold separately or in pairs for convenience
- Includes parts and installation hardware for two sides
- Side Kits are universal and can be installed on the right or left side

**Dimensions**

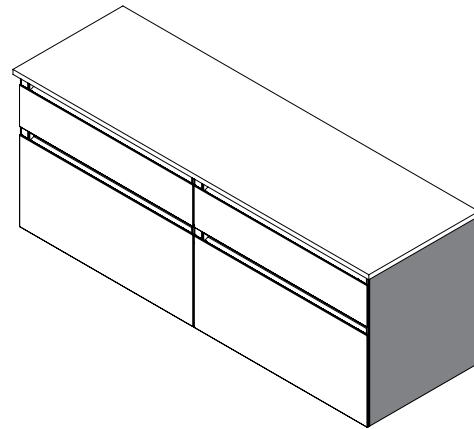
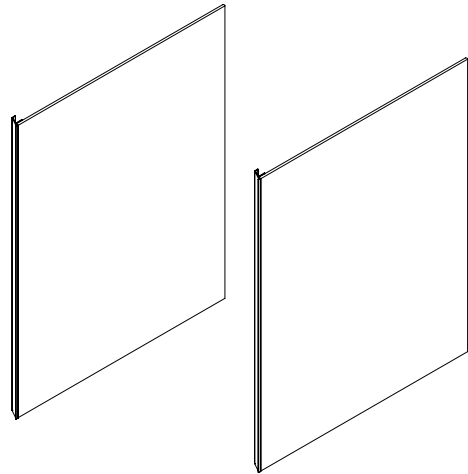
**Height:** 22-1/2" (572 mm)  
**Width:** 7/8" (22 mm)  
**Depth:** 21-9/16" (548 mm)

**Options**

- Glass finish options: Mirror, patterned glass, and back painted glass - gloss or matte
- Other heights available - H1 - 7-1/2" (191 mm) / H2 - 15" (381 mm) / H4 - 30" (762 mm)
- D18 depth available
- D21 depth available

**Compatibility**

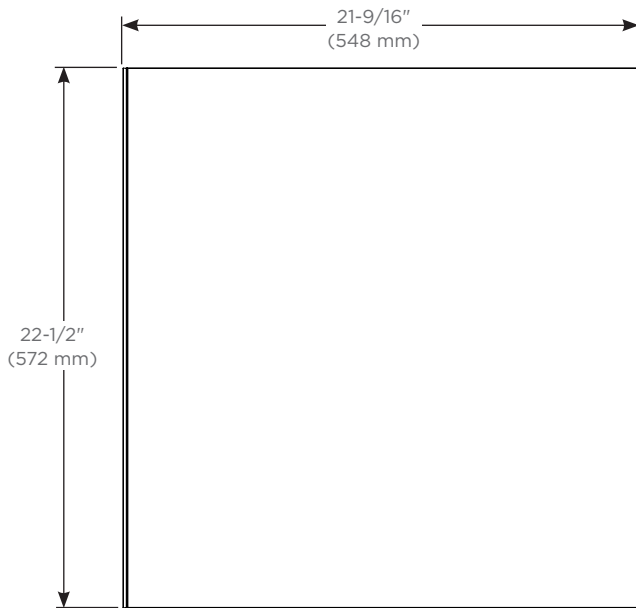
- Pairs with all D21 (21-3/4") vanities that total 22-1/2" in height
- Designed to finish a single vanity or a multiple vanity assembly that totals 22-1/2" in height
- Do not stack Side kits
- See instructions 209-1248



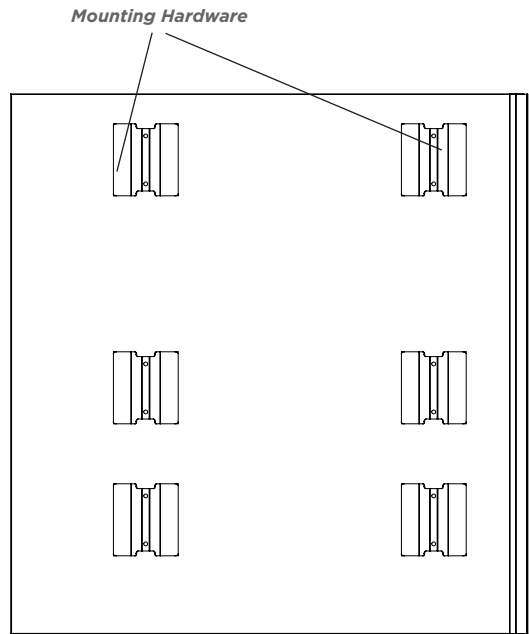
**Model Number Key**

Vanity	Cartesian	Number of Side Kits	Height	Depth	Glass Finish
V	M	2SK = Pair	H3 = 22-1/2"	D21 = 21-9/16"	10 = Mirror 11 = Tinted Gray Mirror 12 = Satin Bronze 19 = Satin White 20 = Black 21 = White 22 = Beach 23 = Ocean 24 = Smoke Screen 25 = Silver Screen 26 = Matte White 27 = Matte Gray 28 = Matte Black

# Dimensions



*Front view*



*Back view*