

**Features**

- Satin anodized aluminum extrusion
- Includes filler, spacers, and installation hardware

**Dimensions**

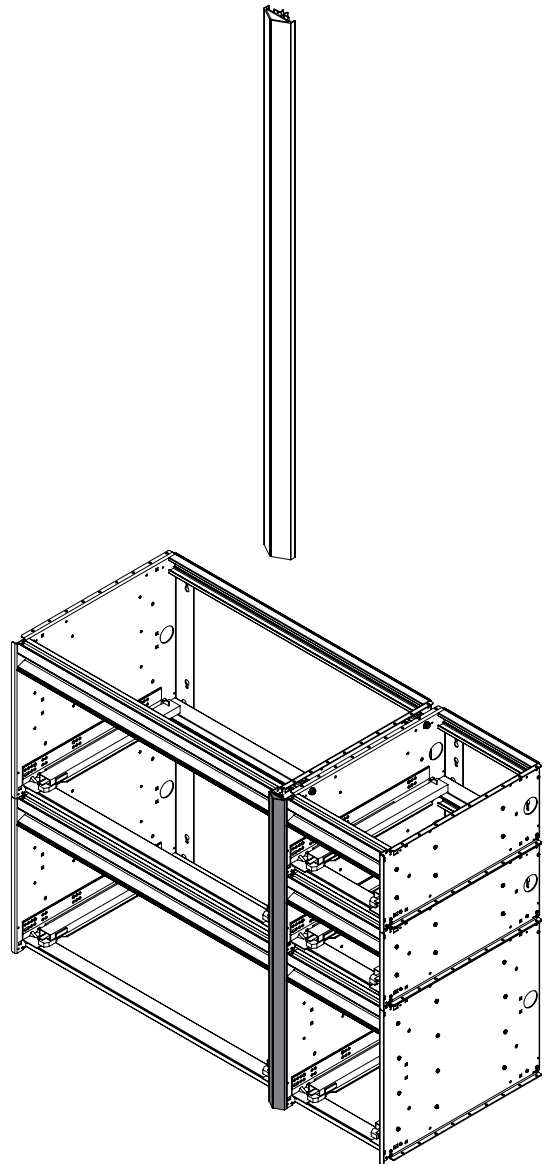
**Height:** 30" (762 mm)

**Options**

- Other heights available -
  - H1 - 7-1/2" (191 mm)
  - H2 - 15" (381 mm)
  - H3 - 22-1/2" (572 mm)

**Compatibility**

- Designed to join and finish a frame or a multiple frame assembly that totals 30" in height
- See instructions 209-1245
- Do not stack ganging kits



**Model Number Key**

Vanity	Cartesian	Type of Kit	Height
V	M	GKIT = Ganging	H4 = 30"