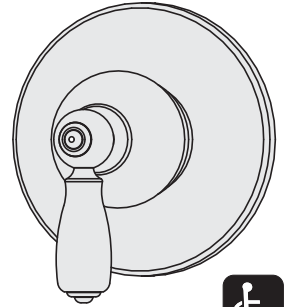


Location:

# SYMMONS® Allura™

## Dual Outlet Diverter 47-2DIV Specification Submittal



### Model Numbers

- 47-2DIV Diverter valve and trim

### Finish Options

Append appropriate *-suffix* to model number.

- STN Satin nickel finish
- Polished chrome finish (standard)

### Standards / Certifications

ASME A112.18.1/CSA B125.1

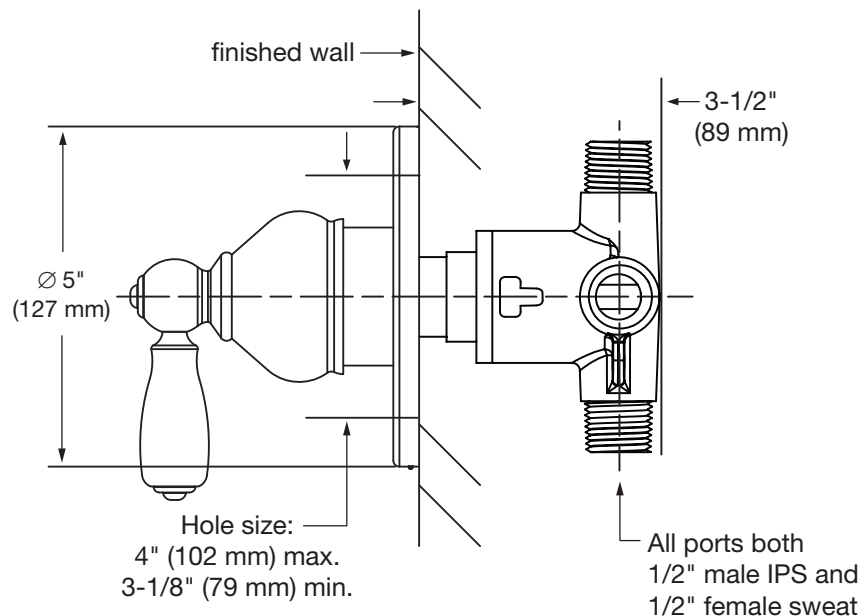
### Feature Highlights

- Dual outlet diverter valve with trim
- Metal construction
- Polished chrome finish (standard)

### Warranty

- Limited Lifetime - to the original end purchaser in consumer installations.
- 5 years - for commercial installations

### Dimensions *Allura Dual Outlet Diverter Valve, 47-2DIV*



#### Notes:

- (1) See shower valve rough-in dimensions for system dimensions.
- (2) Dimensions subject to change without notice

Symmons Industries, Inc. ■ 31 Brooks Drive ■ Braintree, MA 02184  
Phone: (800) 796-6667 ■ Fax: (800) 961-9621  
www.symmons.com ■ gethelp@symmons.com

Copyright © 2015 Symmons Industries, Inc. ■ ZV-1468 REV A ■ 091815

**SYMMONS®**  
the smart choice™