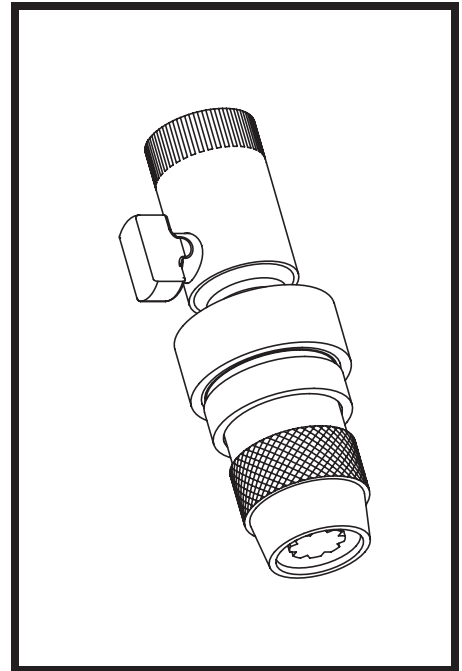


4-270 Symmons® Fre-Flo Shower Heads

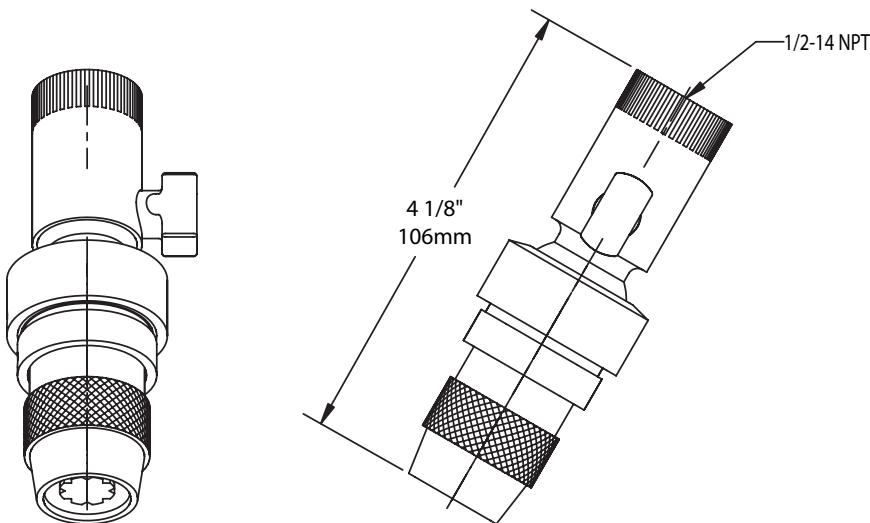
Symmons Fre-Flo shower head with external volume control. All brass construction with ball joint connection.

Modifications:

- Suffix M:** Male thread connection (1/2" MIPS)
- Suffix VP:** Vandal Proofing.
- Specify:** For one way ball joint.



**SYMMONS PRODUCTS MEET
ANSI A112.18.1M, EPA '92
AND ALL KNOWN FLOW RATE
REQUIREMENTS.
Shower Heads and Hand Showers
2.5 GPM (9.5 L/min)**



Job/Location

.....
.....

Engineer

.....
.....

Contractor

.....
.....

For ADA compliance (Americans with Disabilities Act) consult ADAAG or your state regulations for proper product choice and mounting locations.

Symmons Industries, Inc. ■ 31 Brooks Drive ■ Braintree, MA 02184
(800) 796-6667, (781) 848-2250 ■ Fax (800) 961-9621, (781) 843-3849
Website: www.symmons.com ■ Email: customerservice@symmons.com

