

Guinevere® Pedestal Lavatory

FEATURES

- 24-3/8" x 19-7/8"
- Elegant styling
- 34" Universal Height for maximum comfort
- Rear overflow
- Vitreous china pedestal and lavatory combination complete with mounting hardware

MODELS

- LPT972
Pedestal lavatory with single hole
- LPT972.4
Pedestal lavatory with 4" faucet centers
- LPT972.8
Pedestal lavatory with 8" faucet centers
- Available Components:
 - LT972
Lavatory with single hole
 - LT972.4
Lavatory with 4" faucet centers
 - LT972.8
Lavatory with 8" faucet centers
 - PT970
Pedestal only, with mounting hardware

COLORS/FINISHES

- #01 Cotton
- #03 Bone
- #11 Colonial White
- #12 Sedona Beige
- #51 Ebony



Faucet sold separately

CODES/STANDARDS

- Meets and exceeds ASME A112.19.2/CSA B45.1
- Certifications: IAPMO(cUPC), State of Massachusetts, City of Los Angeles, and others
- Code compliance: UPC, IPC, NSPC, NPC Canada, and others



PRODUCT SPECIFICATION

The lavatory shall be 24-3/8" width and 19-7/8" depth. The basin shall be 19-5/8" width and 12-3/8" depth. The lavatory shall be made of vitreous china and be 34" universal height with rear overflow. Lavatory shall be TOTO Model LPT972_____.

LPT972

Guinevere® Pedestal Lavatory

SPECIFICATIONS

- Waste 1-1/4" O.D.
- Size 24-3/8" W x 19-7/8" D
- Basin 19-5/8" W x 12-3/8" D
- Warranty One Year Limited Warranty
- Material Vitreous china
- Shipping Weight LT972/LT972.4/LT972.8 45 lbs.

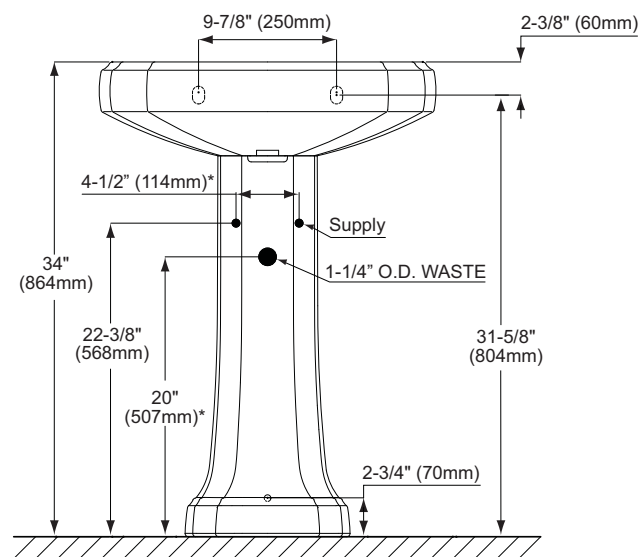
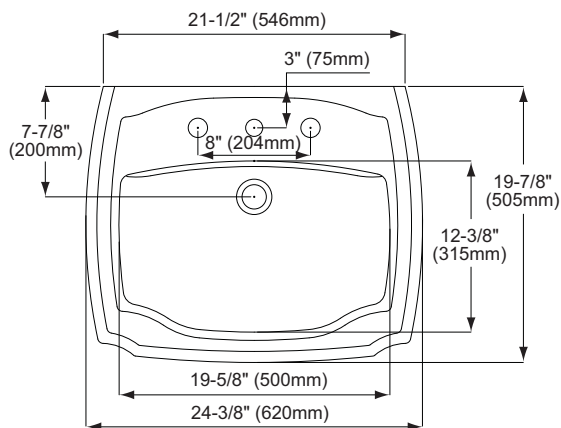
PT970
35 lbs.

- Shipping Dimensions LT972/LT972.4/LT972.8 24-3/4" W x 20-7/8" D x 8-5/8" H

PT970
28-1/2" W x 13" D x 10-7/8" H

INSTALLATION NOTES

Requires PT970 pedestal for support. Use proper back support to mount product.



*Suggested Dimensions

TOTO

These dimensions and specifications are subject to change without notice

Ph: (888) 295-8134 | Fax: (800) 699-4889 | www.totousa.com

Printed in U.S.A. | © TOTO USA 06/09 | Printed on recycled paper ♻️

SS-00282, v.01